

Empty Battery Cabinet, 1500 mm Wide Installation

GVEBC15

11/2020



Legal Information

The Schneider Electric brand and any trademarks of Schneider Electric SE and its subsidiaries referred to in this guide are the property of Schneider Electric SE or its subsidiaries. All other brands may be trademarks of their respective owners.

This guide and its content are protected under applicable copyright laws and furnished for informational use only. No part of this guide may be reproduced or transmitted in any form or by any means (electronic, mechanical, photocopying, recording, or otherwise), for any purpose, without the prior written permission of Schneider Electric.

Schneider Electric does not grant any right or license for commercial use of the guide or its content, except for a non-exclusive and personal license to consult it on an "as is" basis. Schneider Electric products and equipment should be installed, operated, serviced, and maintained only by qualified personnel.

As standards, specifications, and designs change from time to time, information contained in this guide may be subject to change without notice.

To the extent permitted by applicable law, no responsibility or liability is assumed by Schneider Electric and its subsidiaries for any errors or omissions in the informational content of this material or consequences arising out of or resulting from the use of the information contained herein.

Table of Contents

Important Safety Instructions — SAVE THESE	
INSTRUCTIONS	5
Safety Precautions	6
Additional Safety Precautions After Installation.....	7
Electrical Safety.....	8
Battery Safety.....	9
Specifications	11
Battery Requirements	11
Empty Battery Cabinet Weight and Dimensions	11
Environment.....	11
Installation Procedure	12
Position the Empty Battery Cabinet.....	12
Prepare the Empty Battery Cabinet for Cables – Bottom Cable Entry.....	14
Prepare the Empty Battery Cabinet for Cables – Top Cable Entry	15
Install Batteries in the Empty Battery Cabinet.....	17
Add Translated Safety Labels to Your Product	17
Final Installation	18

Important Safety Instructions — SAVE THESE INSTRUCTIONS

Read these instructions carefully and look at the equipment to become familiar with it before trying to install, operate, service or maintain it. The following safety messages may appear throughout this manual or on the equipment to warn of potential hazards or to call attention to information that clarifies or simplifies a procedure.



The addition of this symbol to a “Danger” or “Warning” safety message indicates that an electrical hazard exists which will result in personal injury if the instructions are not followed.



This is the safety alert symbol. It is used to alert you to potential personal injury hazards. Obey all safety messages with this symbol to avoid possible injury or death.

DANGER

DANGER indicates a hazardous situation which, if not avoided, **will result in death or serious injury.**

Failure to follow these instructions will result in death or serious injury.

WARNING

WARNING indicates a hazardous situation which, if not avoided, **could result in death or serious injury.**

Failure to follow these instructions can result in death, serious injury, or equipment damage.

CAUTION

CAUTION indicates a hazardous situation which, if not avoided, **could result in minor or moderate injury.**

Failure to follow these instructions can result in injury or equipment damage.

NOTICE

NOTICE is used to address practices not related to physical injury. The safety alert symbol shall not be used with this type of safety message.

Failure to follow these instructions can result in equipment damage.

Please Note

Electrical equipment should only be installed, operated, serviced, and maintained by qualified personnel. No responsibility is assumed by Schneider Electric for any consequences arising out of the use of this material.

A qualified person is one who has skills and knowledge related to the construction, installation, and operation of electrical equipment and has received safety training to recognize and avoid the hazards involved.

Safety Precautions

DANGER

HAZARD OF ELECTRIC SHOCK, EXPLOSION, OR ARC FLASH

Read all instructions in the installation manual before installing or working on this product.

Failure to follow these instructions will result in death or serious injury.

DANGER

HAZARD OF ELECTRIC SHOCK, EXPLOSION, OR ARC FLASH

Do not install the product until all construction work has been completed and the installation room has been cleaned.

Failure to follow these instructions will result in death or serious injury.

DANGER

HAZARD OF ELECTRIC SHOCK, EXPLOSION, OR ARC FLASH

The product must be installed according to the specifications and requirements as defined by Schneider Electric. It concerns in particular the external and internal protections (upstream breakers, battery breakers, cabling, etc.) and environmental requirements. No responsibility is assumed by Schneider Electric if these requirements are not respected.

Failure to follow these instructions will result in death or serious injury.

DANGER

HAZARD OF ELECTRIC SHOCK, EXPLOSION, OR ARC FLASH

The UPS system must be installed according to local and national regulations. Install the UPS according to:

- IEC 60364 (including 60364-4-41- protection against electric shock, 60364-4-42 - protection against thermal effect, and 60364-4-43 - protection against overcurrent), or
- NEC NFPA 70, or
- Canadian Electrical Code (C22.1, Part 1)

depending on which one of the standards apply in your local area.

Failure to follow these instructions will result in death or serious injury.

DANGER

HAZARD OF ELECTRIC SHOCK, EXPLOSION, OR ARC FLASH

- Install the product in a temperature controlled indoor environment free of conductive contaminants and humidity.
- Install the product on a non-flammable, level and solid surface (e.g. concrete) that can support the weight of the system.

Failure to follow these instructions will result in death or serious injury.

⚠️⚠️ DANGER

HAZARD OF ELECTRIC SHOCK, EXPLOSION, OR ARC FLASH

The product is not designed for and must therefore not be installed in the following unusual operating environments:

- Damaging fumes
- Explosive mixtures of dust or gases, corrosive gases, or conductive or radiant heat from other sources
- Moisture, abrasive dust, steam or in an excessively damp environment
- Fungus, insects, vermin
- Salt-laden air or contaminated cooling refrigerant
- Pollution degree higher than 2 according to IEC 60664-1
- Exposure to abnormal vibrations, shocks, and tilting
- Exposure to direct sunlight, heat sources, or strong electromagnetic fields

Failure to follow these instructions will result in death or serious injury.

⚠️⚠️ DANGER

HAZARD OF ELECTRIC SHOCK, EXPLOSION, OR ARC FLASH

Do not drill or cut holes for cables or conduits with the gland plates installed and do not drill or cut holes in close proximity to the UPS.

Failure to follow these instructions will result in death or serious injury.

⚠️⚠️ WARNING

HAZARD OF ARC FLASH

Do not make mechanical changes to the product (including removal of cabinet parts or drilling/cutting of holes) that are not described in the installation manual.

Failure to follow these instructions can result in death, serious injury, or equipment damage.

NOTICE

RISK OF OVERHEATING

Respect the space requirements around the product and do not cover the ventilation openings when the product is in operation.

Failure to follow these instructions can result in equipment damage.

Additional Safety Precautions After Installation

⚠️⚠️ DANGER

HAZARD OF ELECTRIC SHOCK, EXPLOSION, OR ARC FLASH

Do not install the UPS system until all construction work has been completed and the installation room has been cleaned. If additional construction work is needed in the installation room after this product has been installed, turn off the product and cover the product with the protective packaging bag the product was delivered in.

Failure to follow these instructions will result in death or serious injury.

Electrical Safety

This manual contains important safety instructions that should be followed during the installation and maintenance of the UPS system.

DANGER

HAZARD OF ELECTRIC SHOCK, EXPLOSION, OR ARC FLASH

- Electrical equipment must be installed, operated, serviced, and maintained only by qualified personnel.
- Apply appropriate personal protective equipment (PPE) and follow safe electrical work practices.
- Disconnection devices for AC and DC must be provided by others, be readily accessible, and the function of the disconnect device marked for its function.
- Turn off all power supplying the UPS system before working on or inside the equipment.
- Before working on the UPS system, check for hazardous voltage between all terminals including the protective earth.
- The UPS contains an internal energy source. Hazardous voltage can be present even when disconnected from the mains supply. Before installing or servicing the UPS system, ensure that the units are OFF and that mains and batteries are disconnected. Wait five minutes before opening the UPS to allow the capacitors to discharge.
- The UPS must be properly earthed/grounded and due to a high leakage current, the earthing/grounding conductor must be connected first.

Failure to follow these instructions will result in death or serious injury.

The label below must be added if:

1. The UPS input is connected through external isolators that, when opened, isolate the neutral, OR
2. The UPS input is connected via an IT power system.

The label must be placed adjacent to all upstream power disconnection devices that isolate the neutral.

DANGER

HAZARD OF ELECTRIC SHOCK, EXPLOSION, OR ARC FLASH

Risk of voltage backfeed. Before working on this circuit: Isolate the UPS and check for hazardous voltage between all terminals including the protective earth.

Failure to follow these instructions will result in death or serious injury.

Battery Safety

DANGER

HAZARD OF ELECTRIC SHOCK, EXPLOSION OR ARC FLASH

- Battery circuit breakers must be installed according to the specifications and requirements as defined by Schneider Electric.
- Servicing of batteries must only be performed or supervised by qualified personnel knowledgeable of batteries and the required precautions. Keep unqualified personnel away from batteries.
- Disconnect charging source prior to connecting or disconnecting battery terminals.
- Do not dispose of batteries in a fire as they can explode.
- Failed batteries can reach temperatures that exceed the burn thresholds for touchable surfaces.
- Do not open, alter, or mutilate batteries. Released electrolyte is harmful to the skin and eyes. It may be toxic.

Failure to follow these instructions will result in death or serious injury.

DANGER

HAZARD OF ELECTRIC SHOCK, EXPLOSION, OR ARC FLASH

Batteries can present a risk of electric shock and high short-circuit current. The following precautions must be observed when working on batteries

- Remove watches, rings, or other metal objects.
- Use tools with insulated handles.
- Wear protective glasses, gloves and boots.
- Do not lay tools or metal parts on top of batteries.
- Disconnect the charging source prior to connecting or disconnecting battery terminals.
- Determine if the battery is inadvertently grounded. If inadvertently grounded, remove source from ground. Contact with any part of a grounded battery can result in electric shock and burns by high short-circuit current. The likelihood of such shock can be reduced if such grounds are removed during installation and maintenance by a skilled person (applicable to equipment and remote battery supplies not having a grounded supply circuit).

Failure to follow these instructions will result in death or serious injury.

DANGER

HAZARD OF ELECTRIC SHOCK, EXPLOSION, OR ARC FLASH

When replacing batteries, always replace with the same type and number of batteries or battery packs.

Failure to follow these instructions will result in death or serious injury.

▲ CAUTION

RISK OF EQUIPMENT DAMAGE

- Wait until the system is ready to be powered up before installing batteries in the system. The time duration from battery installation until the UPS system is powered up must not exceed 72 hours or 3 days.
- Batteries must not be stored more than six months due to the requirement of recharging. If the UPS system remains de-energized for a long period, we recommend that you energize the UPS system for a period of 24 hours at least once every month. This charges the batteries, thus avoiding irreversible damage.

Failure to follow these instructions can result in injury or equipment damage.

Specifications

NOTICE

HAZARD OF EQUIPMENT DAMAGE

Refer to the UPS installation manual for detailed specifications for the UPS system.

Failure to follow these instructions can result in equipment damage.

Battery Requirements

Battery type	VRLA
Minimum flammability rating	HB
Battery shelves	For top cable entry with a battery breaker kit installed or for bottom cable entry: 4 shelves sized 1280 x 765 mm For top cable entry without a battery breaker kit installed: 5 shelves sized 1280 x 765 mm
Maximum weight per shelf	650 kg
Maximum weight per cabinet	3250 kg
Height between battery shelves	340 mm
Maximum battery height including battery terminals	240 mm

Empty Battery Cabinet Weight and Dimensions

	Weight kg	Height mm	Width mm	Depth mm
Empty battery cabinet	390	1970	1500	854

Environment

	Operation	Storage
Temperature	0 °C to 40 °C	-25 °C to 55 °C

Installation Procedure

1. Position the Empty Battery Cabinet, page 12.
2. Prepare the empty battery cabinet for cables. Follow one of the procedures:
 - Prepare the Empty Battery Cabinet for Cables – Bottom Cable Entry, page 14, or
 - Prepare the Empty Battery Cabinet for Cables – Top Cable Entry, page 15.
3. Install the battery breaker kit. Follow the manual supplied with the battery breaker kit.
4. Install Batteries in the Empty Battery Cabinet, page 17.
5. Add Translated Safety Labels to Your Product, page 17.
6. Final Installation, page 18.

Position the Empty Battery Cabinet

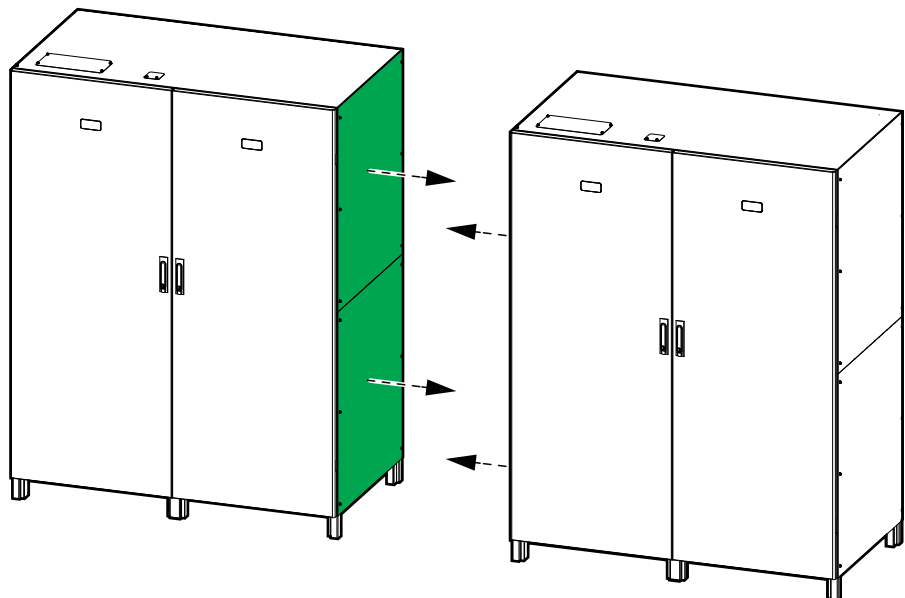
⚠ DANGER

HAZARD OF ELECTRIC SHOCK, EXPLOSION, OR ARC FLASH

Leave the empty battery cabinet covered while making anchoring holes to prevent dust or other conductive parts in the system.

Failure to follow these instructions will result in death or serious injury.

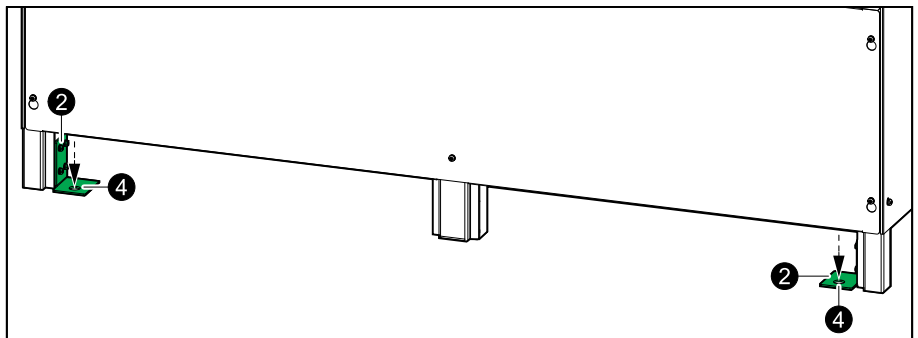
1. **Only for installation with two empty battery cabinets:** Remove the indicated side panels from the battery cabinets on the adjacent sides.



2. Install the anchoring brackets from the kit on the rear side of the cabinet.

NOTE: Floor anchoring bolts are not provided.

Rear View of the Empty Battery Cabinet



3. Position the empty battery cabinet(s) in the final installation area.

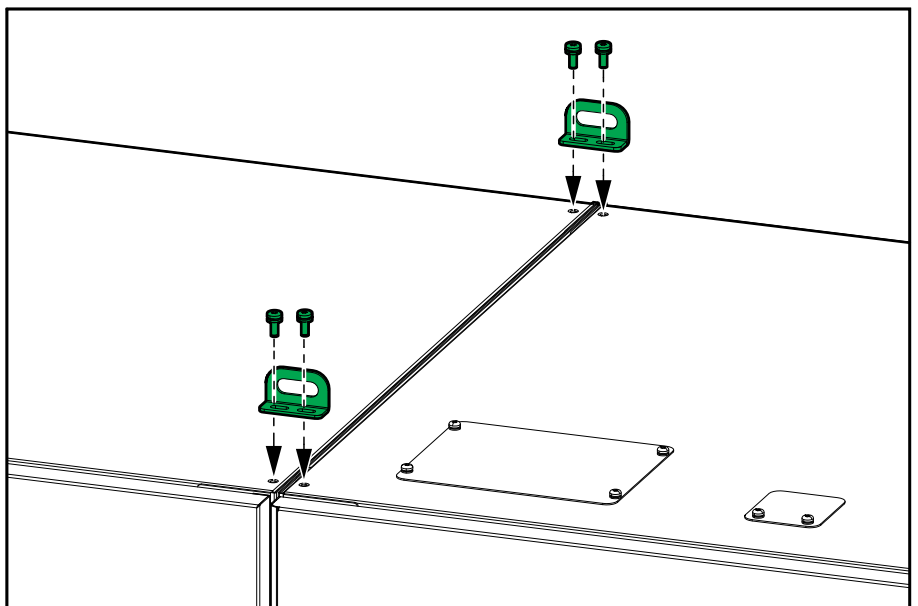
NOTE: Leave 100 mm free space behind the empty battery cabinet(s) for airflow.

4. Anchor the rear anchoring brackets to the floor.

NOTE: Floor anchoring bolts are not provided.

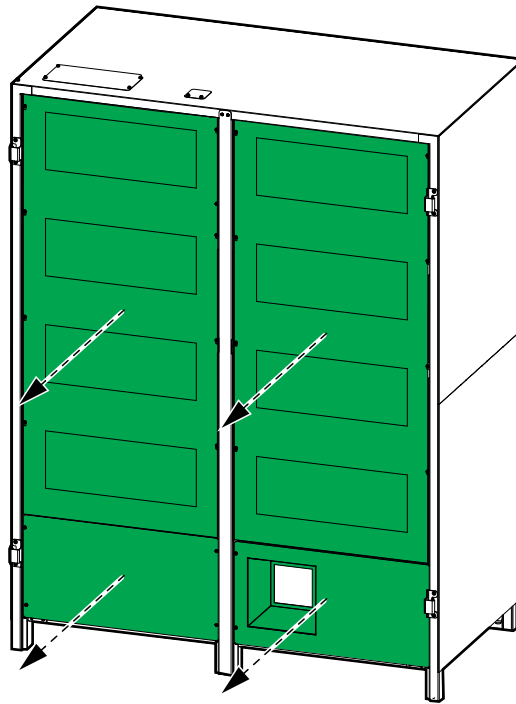
5. **Only for installation with two empty battery cabinets:** Install the top baying brackets between the empty battery cabinets.

Front View of Two Empty Battery Cabinets



- Remove the four indicated covers.

Front View of the Empty Battery Cabinet



Prepare the Empty Battery Cabinet for Cables – Bottom Cable Entry

⚠ DANGER

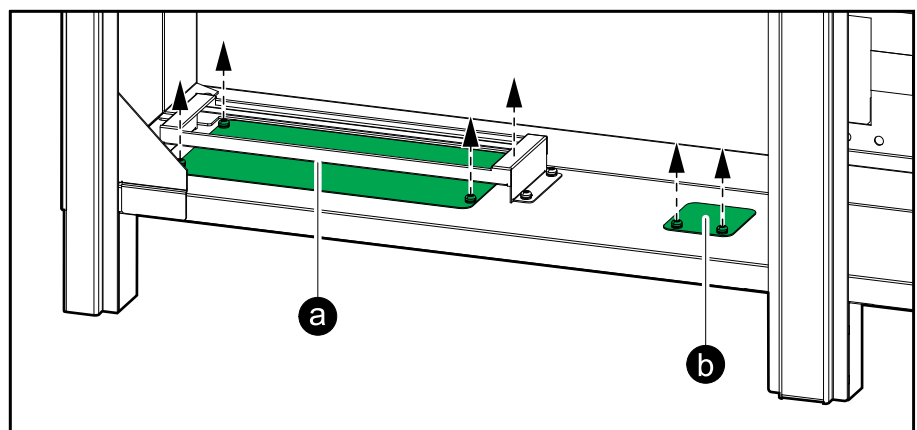
HAZARD OF ELECTRIC SHOCK, EXPLOSION, OR ARC FLASH

Do not drill or punch holes with the gland plates installed and do not drill or punch holes in close proximity to the cabinet.

Failure to follow these instructions will result in death or serious injury.

- Remove the gland plates for (a) power cables and (b) signal cables.

Front View of the Empty Battery Cabinet



- Drill or punch holes for power cables and signal cables in the gland plates.

3. Reinstall the gland plates.

⚠ DANGER

HAZARD OF ELECTRIC SHOCK, EXPLOSION, OR ARC FLASH

Ensure that there are no sharp edges that can damage the cables.

Failure to follow these instructions will result in death or serious injury.

Prepare the Empty Battery Cabinet for Cables – Top Cable Entry

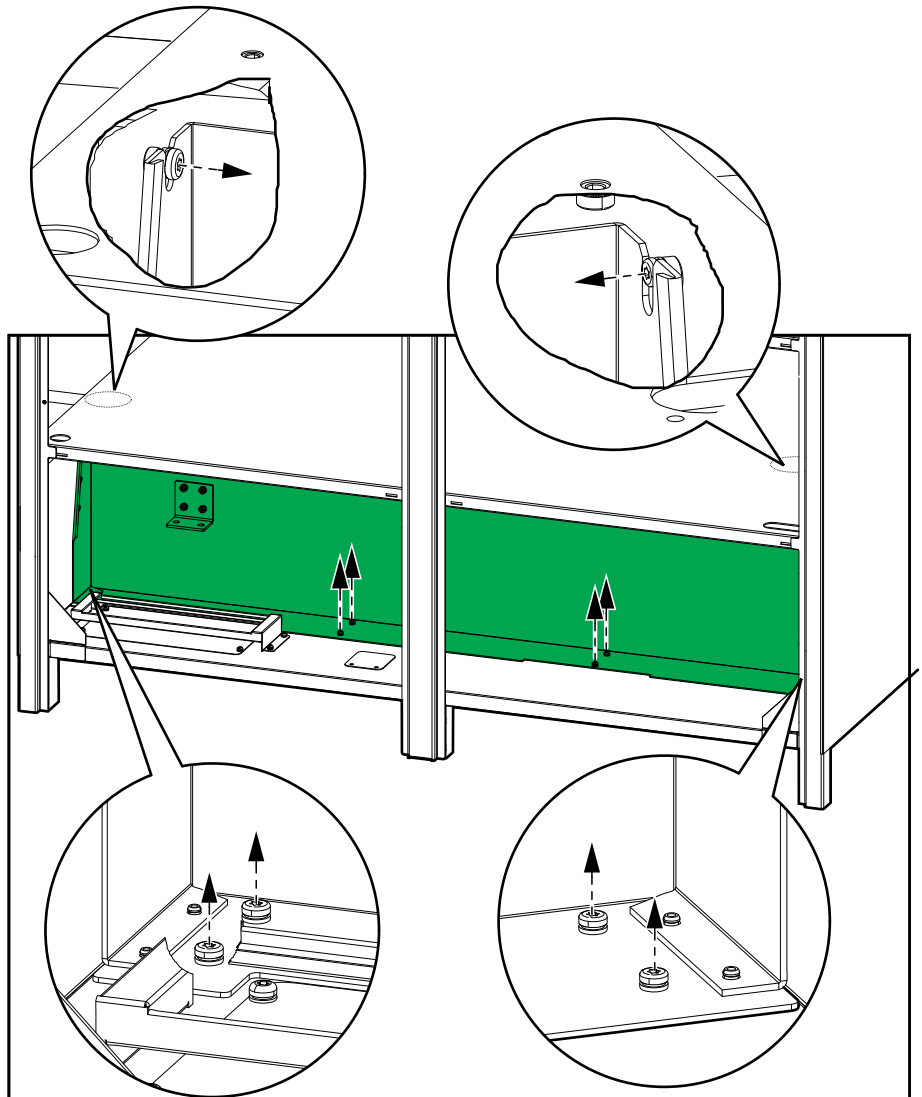
⚠ DANGER

HAZARD OF ELECTRIC SHOCK, EXPLOSION, OR ARC FLASH

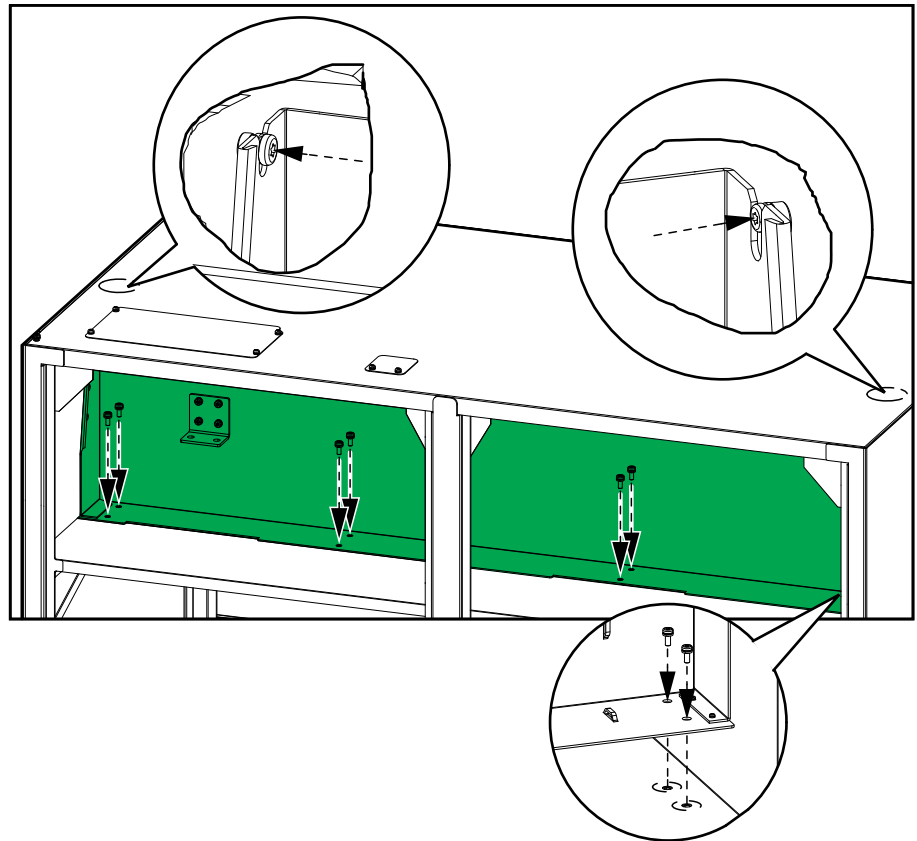
Do not drill or punch holes with the gland plates installed and do not drill or punch holes in close proximity to the cabinet.

Failure to follow these instructions will result in death or serious injury.

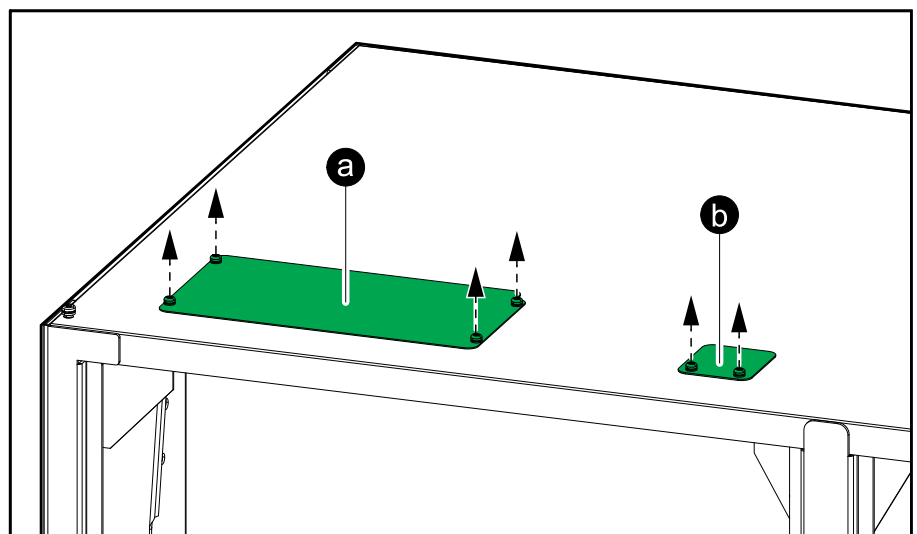
1. Remove the ten screws and remove the battery breaker plate. Save the screws for later use.



2. Install the battery breaker plate on the top shelf and fasten with the screws.



3. Remove the gland plates for (a) power cables and (b) signal cables.



4. Drill or punch holes for power cables and signal cables in the gland plates.
5. Reinstall the gland plates.

⚠ DANGER

HAZARD OF ELECTRIC SHOCK, EXPLOSION, OR ARC FLASH

Ensure that there are no sharp edges that can damage the cables.

Failure to follow these instructions will result in death or serious injury.

Install Batteries in the Empty Battery Cabinet

⚠ WARNING

UNEXPECTED EQUIPMENT HANDLING

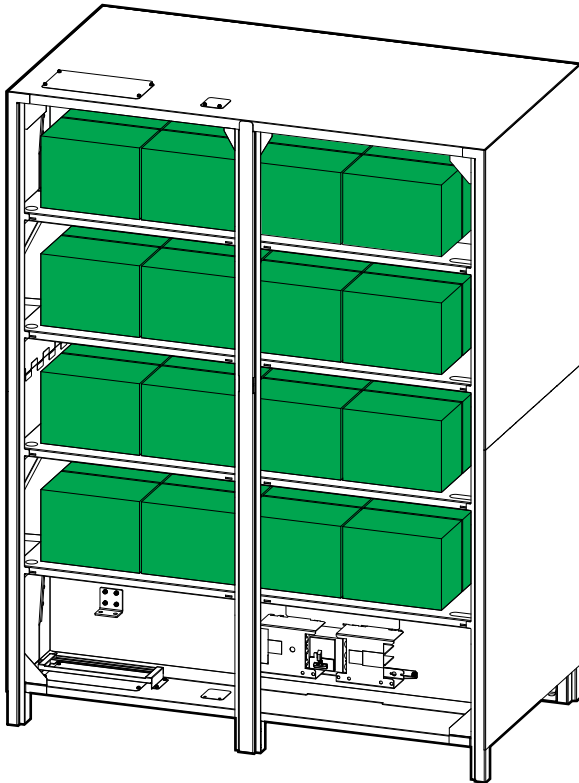
The battery cabinet must not be moved after the batteries have been installed.

Failure to follow these instructions can result in death, serious injury, or equipment damage.

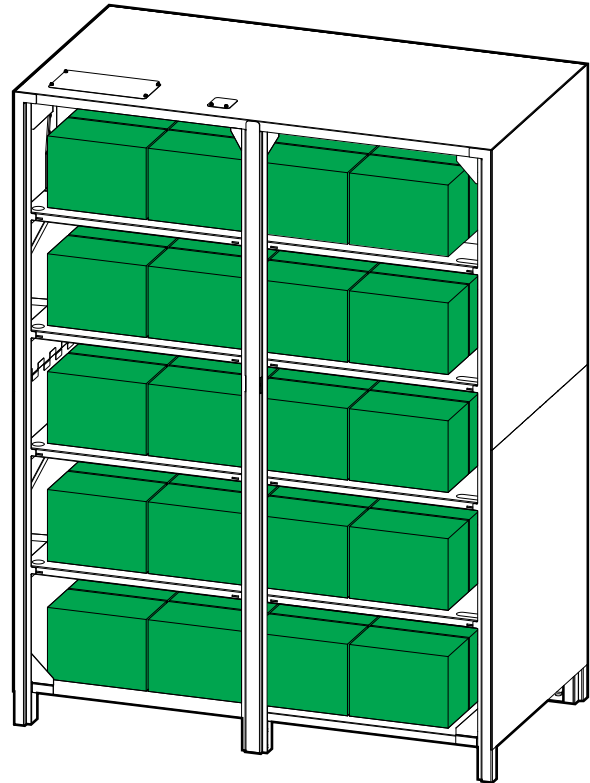
1. Place the batteries on the shelves in the empty battery cabinet and interconnect the batteries.

NOTE: Do not cover the holes in the corners of the shelves that are intended for cable routing between the shelves.

Bottom Cable Entry Installation With Battery Breaker Kit



Top Cable Entry Installation Without Battery Breaker Kit



2. Note down the battery configuration on the label in the empty battery cabinet.

Add Translated Safety Labels to Your Product

The safety labels on your product are in English and French. Sheets with translated safety labels are provided with your product.

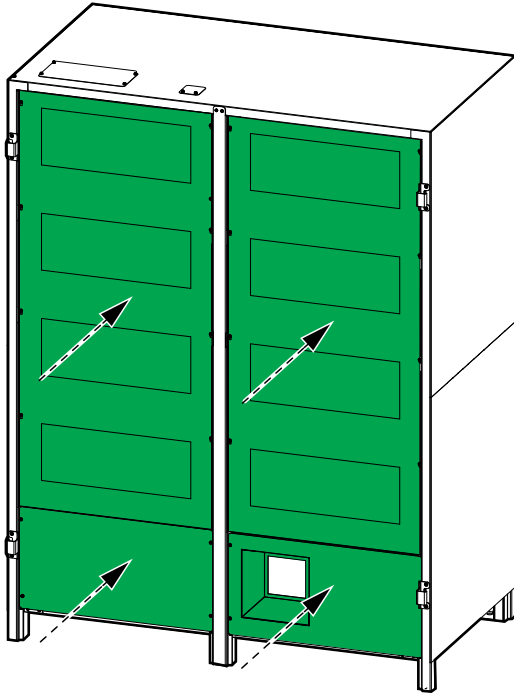
1. Find the sheets with translated safety labels provided with your product.
2. Check which 885-XXX numbers are on the sheet with translated safety labels.
3. Locate the safety labels on your product that match the translated safety labels on the sheet – look for the 885-XXX numbers.

4. Add the replacement safety label in your preferred language to your product on top of the existing French safety label.

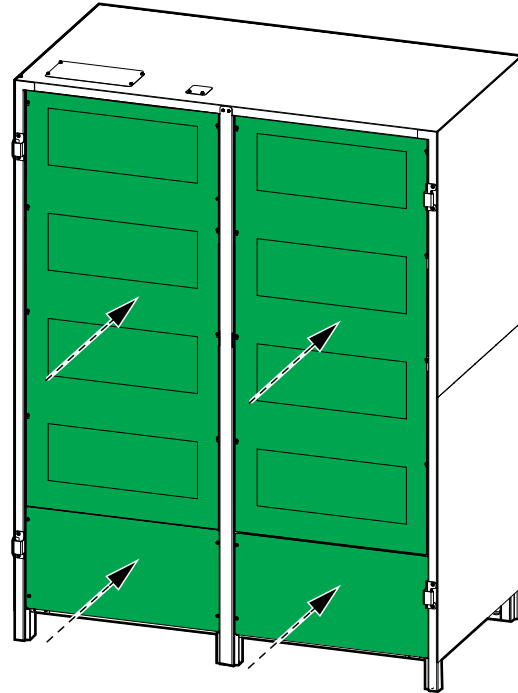
Final Installation

1. Reinstall the four front covers.

Bottom Cable Entry System with Battery Breaker

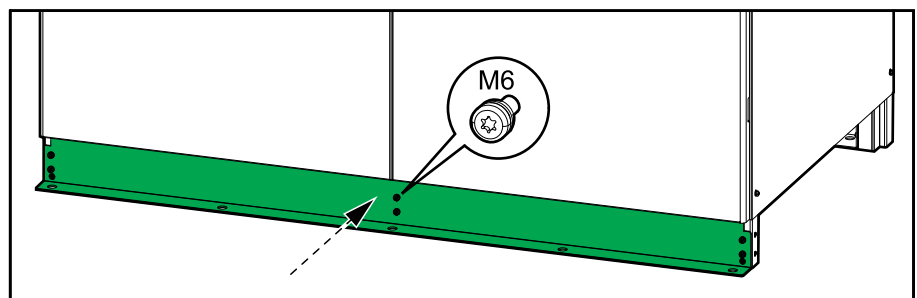


Top Cable Entry without Battery Breaker



2. Fasten the front anchoring bracket (saved during the unpacking procedure) to the empty battery cabinet.

Front View of Empty Battery Cabinet



3. Mount the front anchoring bracket to the floor.

NOTE: Floor anchoring bolts are not provided.

Schneider Electric
35 rue Joseph Monier
92500 Rueil Malmaison
France

+ 33 (0) 1 41 29 70 00



As standards, specifications, and design change from time to time,
please ask for confirmation of the information given in this publication.

© 2020 – 2020 Schneider Electric. All rights reserved.

990-91386-001