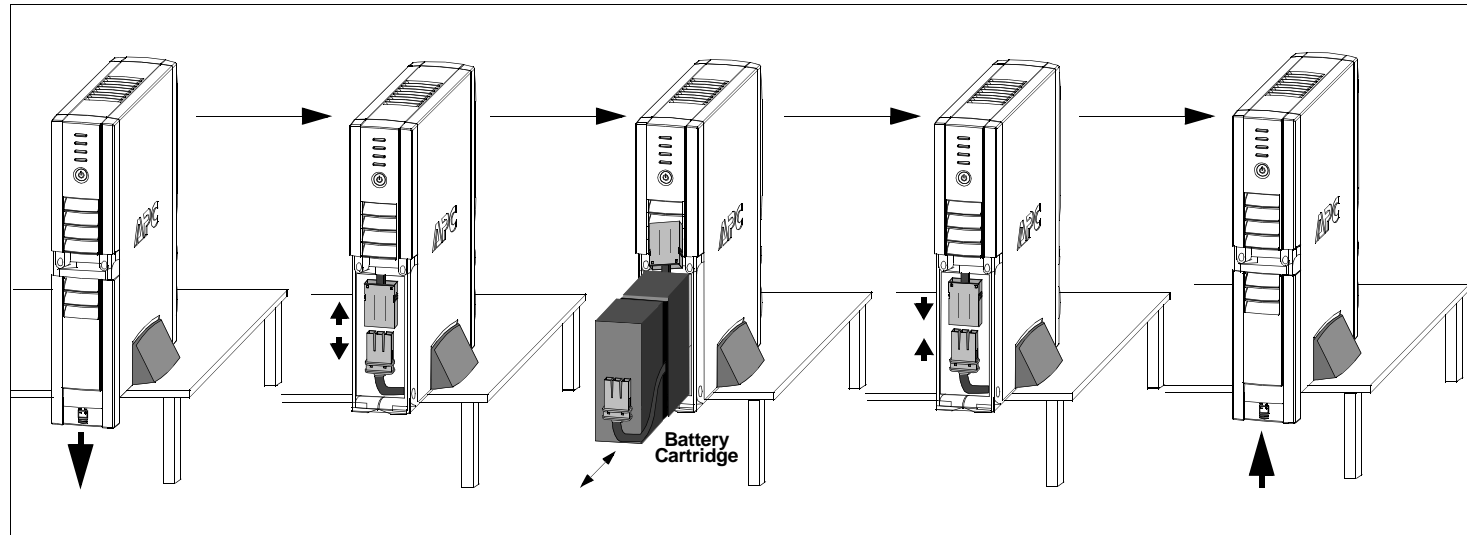


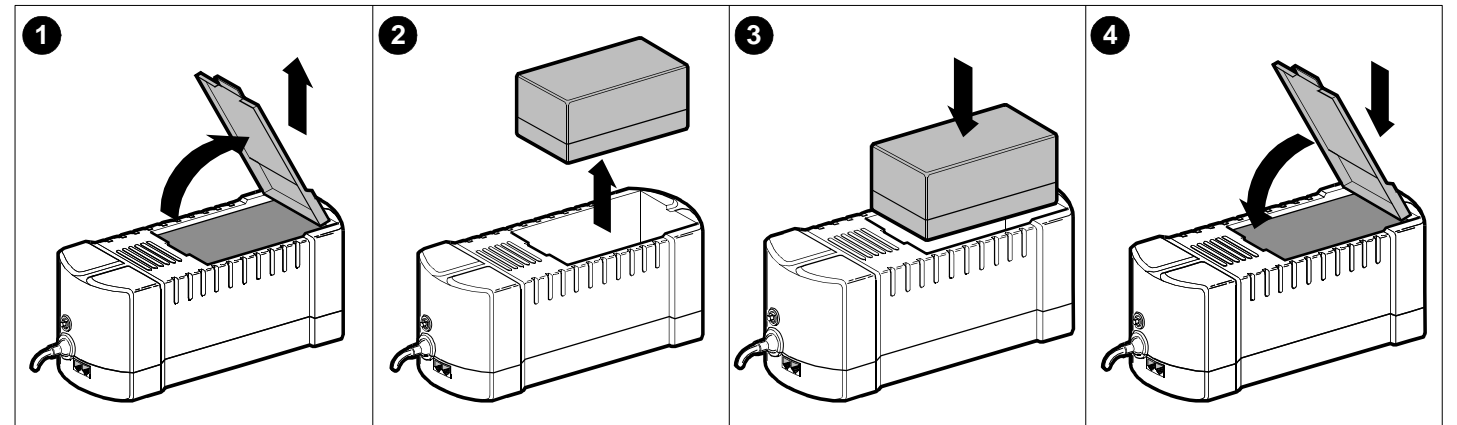
BATTERY CARTRIDGE REPLACEMENT GUIDE - RBC32, RBC33, and RBC47

Entire contents copyright 2005 by American Power Conversion Corporation. All rights reserved. Reproduction in whole or in part without permission is prohibited. APC, the APC logo, Back-UPS, Smart-UPS, and SurgeArrest are registered trademarks of American Power Conversion Corporation. All other trademarks are the property of their respective owners.

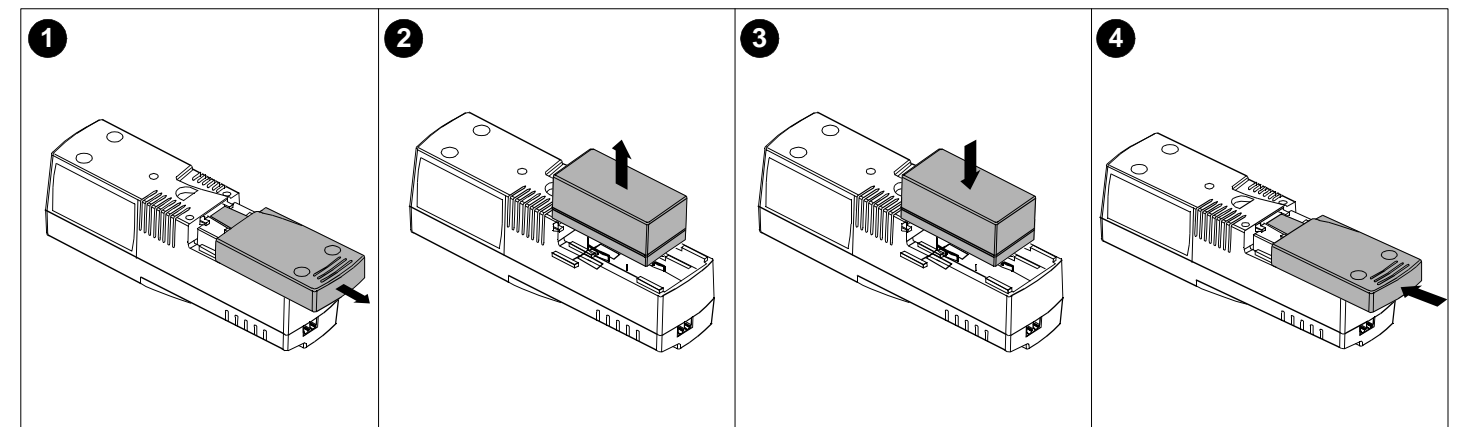
Back-UPS[®] RS/XS 1000 (RBC32) and 1500 (RBC33)



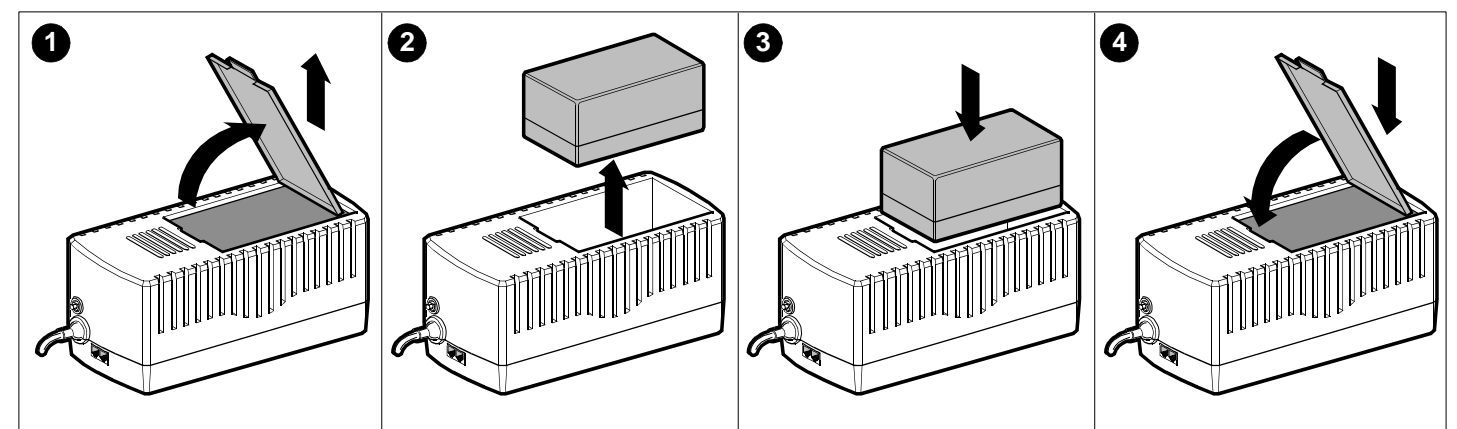
120V SurgeArrest[®] BE325 Surge Protector + Battery (RBC47)



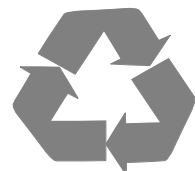
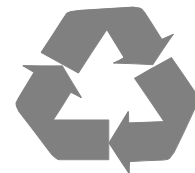
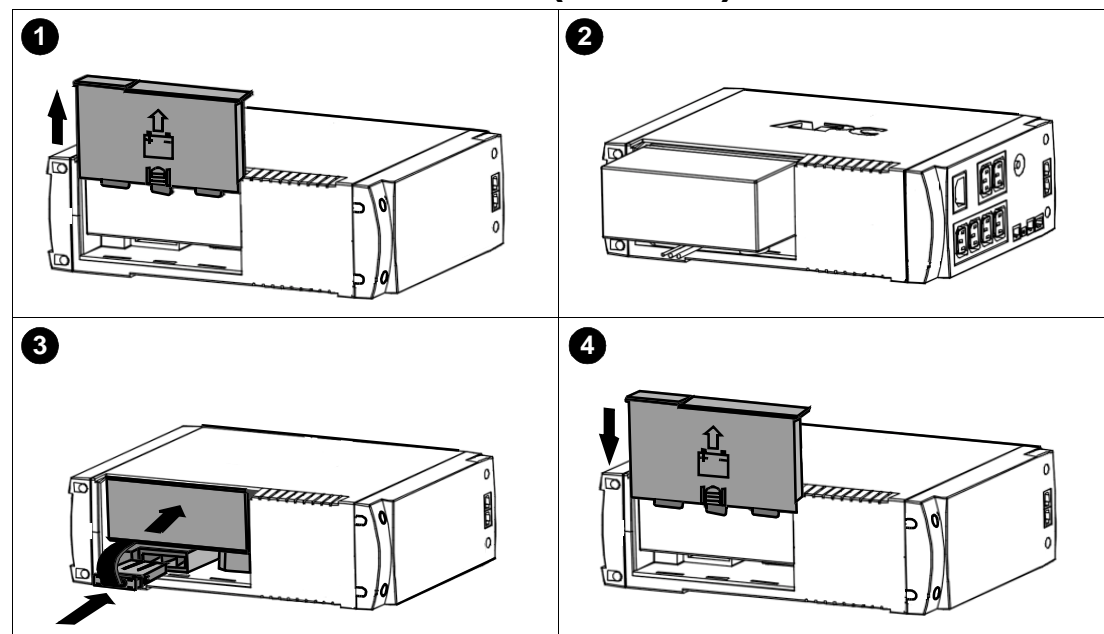
230V SurgeArrest BE325 Surge Protector + Battery Backup (RBC47)



CNB325 Surge Protector + Battery Backup (RBC47)



Back-UPS RS/XS 800, CNB750, CNB950 (RBC32)



Smart-UPS® SC 1000 (RBC33)

