



by Schneider Electric

Addendum SURT/SURTD XLIM Products

Overview

The information in this addendum is for DNV certified SURT/SURTD XLIM UPS models and companion EMI filters.

The APC UPS models listed in the table below meet DNV 2.4 Type Approval for Bridge, Control Room, and Accommodation Zones, when used with the appropriate companion filter. Companion filter models are listed in the table below.

UPS Model	Filter Model
SURT1000XLIM	SURT023M
SURTD2200XLIM	SURT023M
SURTD3000XLIM	SURT023M
SURT6000XLIM	SURT024M

In addition to the standard product inventory the following items will be included:

- Rail Kit
- Rack-Mount Hardware
- EPO Ferrite Bead
(*SURTD2200XLIM/SURTD3000XLIM/SURT6000XLIM models only*)
- One ground cable

Specifications

When the APC UPS models listed in the table above are used with the appropriate companion filter the specifications in this addendum supersede the specifications in the UPS user manuals for the standard SURT/SURTD products.



Expected battery life drops by 50% for every 10° increase in the ambient temperatures above 25° C (77° F).

Temperature	0° C to 40° C (32° F to 104° F) at 100% rated output power
Operation	40° C to 55° C (104° F to 131° F) derate output power 2.5%/° C (1.38%/° F) Avoid operating this product at temperatures above 40° C (104° F).
Storage	0° C to 55° C (32° F to 131° F) Maximum recommended storage temperature 35° C (95° F) Charge the battery periodically to prevent permanent operating capacity loss. Charge frequency requirements are dependent on storage temperature. Batteries will charge in 48 hours while the UPS operates on AC power. 25° C (77° F) charge the battery every 12 months 30° C (86° F) charge the battery every 8 months 40° C (104° F) charge the battery every 4 months
Beeper Signals	An audible signal will accompany some LED indicator activity. This audible signal is not considered an audible warning or alarm.
Safety Certification	CE DNV Certification 2.4 Type Approval, Bridge & Deck Zones For DNV type approval certificate go to the APC Web site, www.apc.com .
Compass Safe Distance per IEC 60945	SURT 1000XLIM: 140 cm SURTD2200XLIM/SURTD3000XLIM: 210 cm SIURT6000XLIM: 174 cm

Installation

Rack-Mount



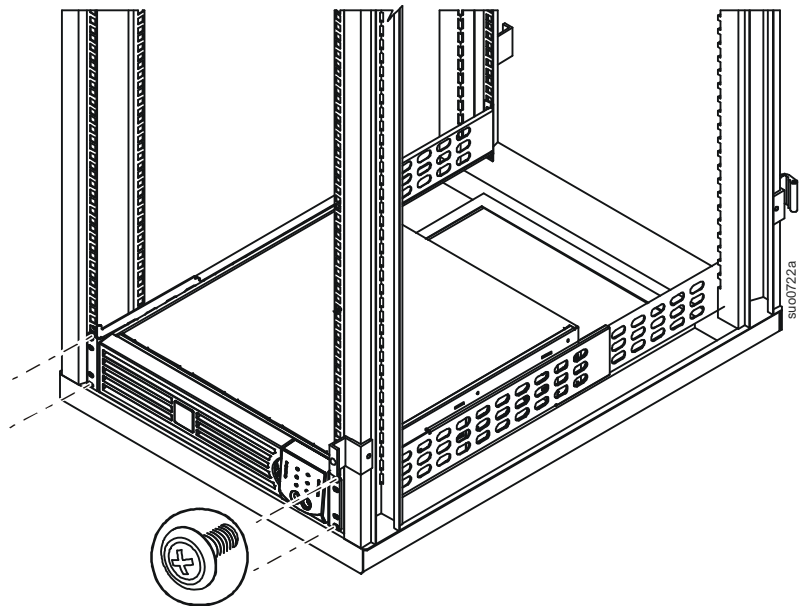
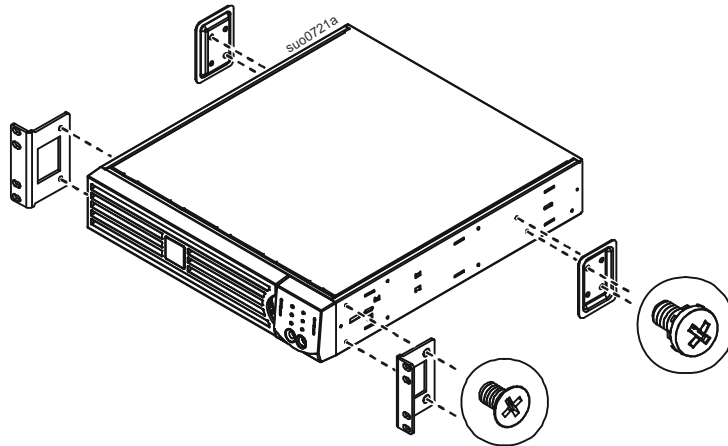
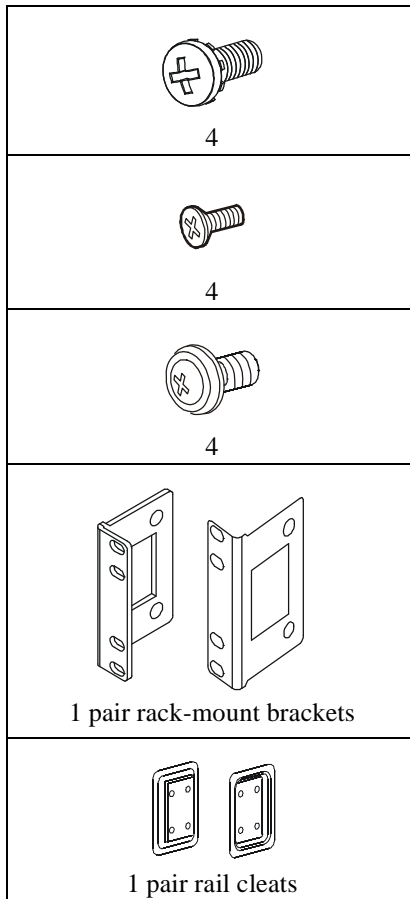
The cleats will be factory installed on some units.

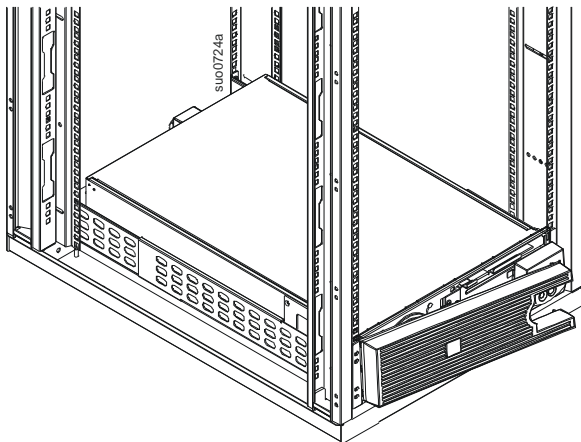
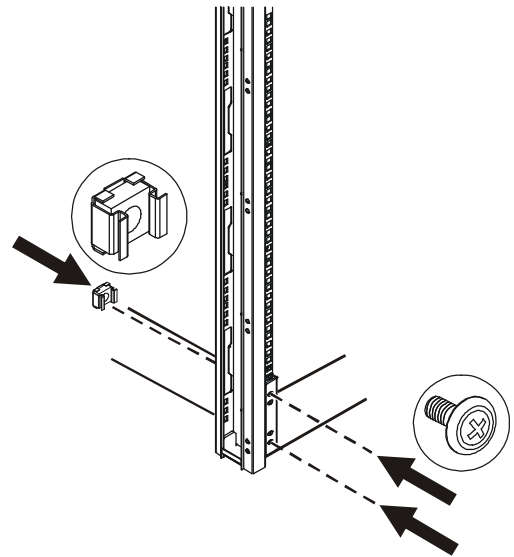
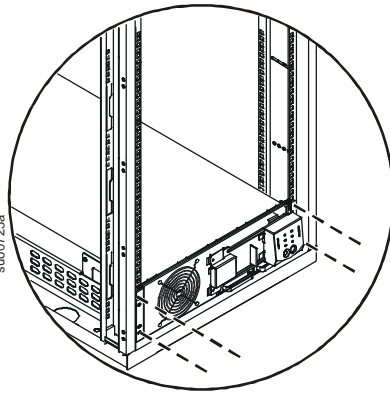
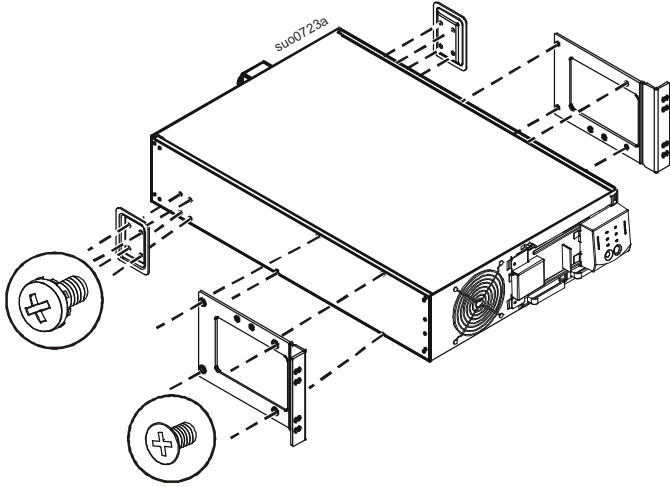
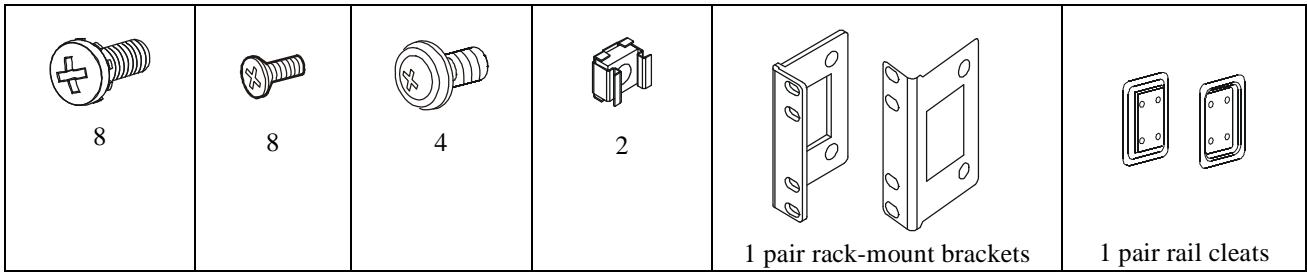
The UPS is heavy. Remove the batteries before installing the UPS.

Refer to the UPS user manual for battery removal and battery installation instructions.

Install the marine filter, the UPS, and the XLBP(s) at or near the bottom of the rack. Place the marine filter above the UPS. Place the marine filter, and the UPS above the XLBP(s).

SURT1000XLIM models:





Connect the Emergency Power Off (optional)

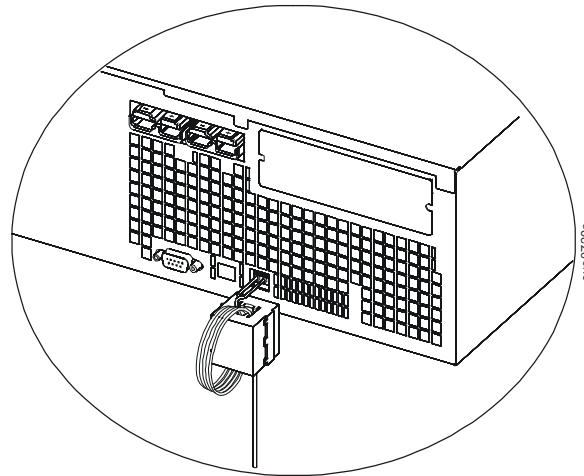


The location of the emergency power off (EPO) switch may vary from the position depicted in the graphic below.

Where appropriate, install an EPO switch.

With installations utilizing a filter in compliance with DNV 2.4 requirements, the supplied ferrite bead must be installed with the EPO feature.

Capture eight loops of wire when installing the ferrite bead. Refer to the diagram below.



Customer support and warranty information is available at the APC Web site, www.apc.com.

© 2011 APC by Schneider Electric. APC, the APC logo, and Smart-UPS are owned by Schneider Electric Industries S.A.S., American Power Conversion Corporation, or their affiliated companies. All other trademarks are property of their respective owners.

990-3907B
06/2011