



by Schneider Electric

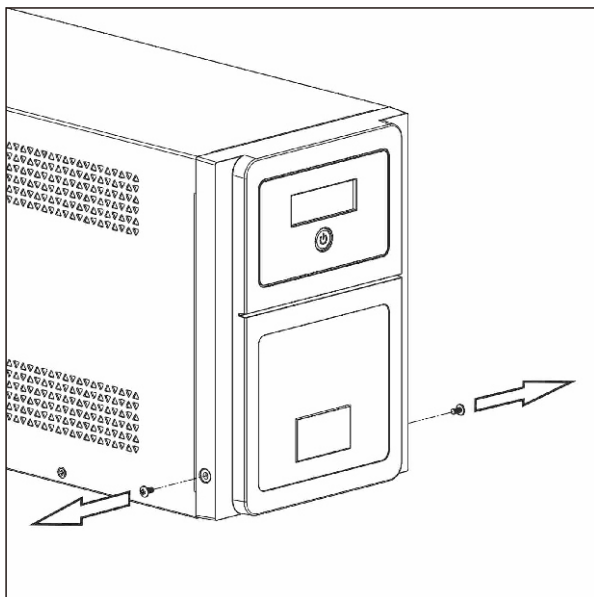
Quick Installation Guide for Battery Cartridge Replacement

CAUTION:

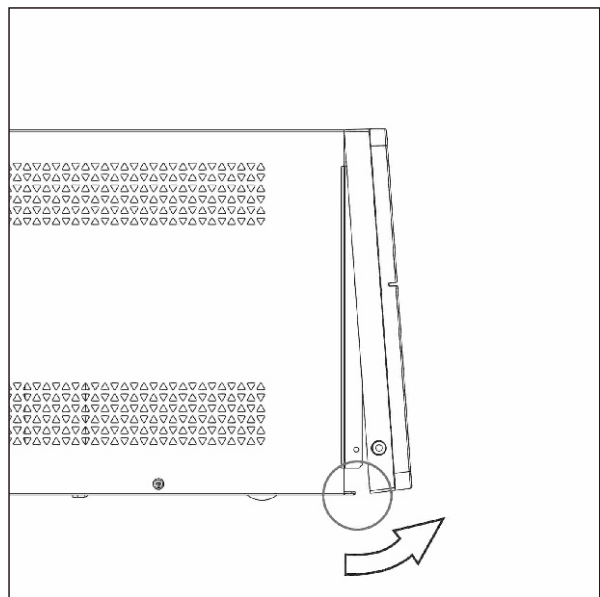
- Only APC authorized service technicians should replace the battery.
- Use APC authorized batteries only.
- Use authorized battery recycler. See www.apc.com/recycle for information on recycling services offered in your country.

SMV/SMVS 750-3000VA

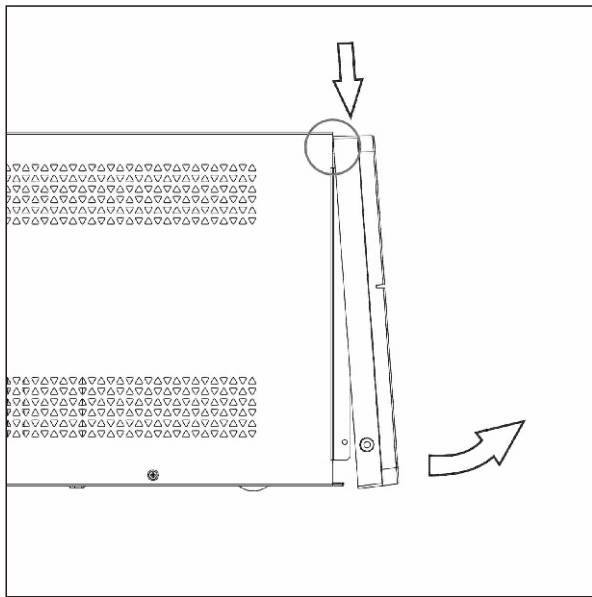
1. Locate the screws (2nos) securing the bezel & unfasten them.



2. Release the bezel from the base & rotate the bezel in the direction.



3. Slide the bezel down to release it from the top cover and take out the bezel.

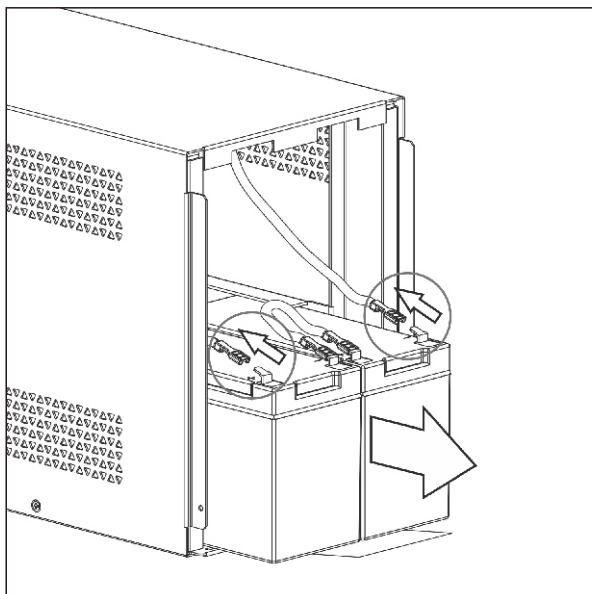


4. Disconnect battery cables, connectors & pull out the old battery. Replace the battery with the same type & spec as the old one. Reconnect the battery cables and connectors.

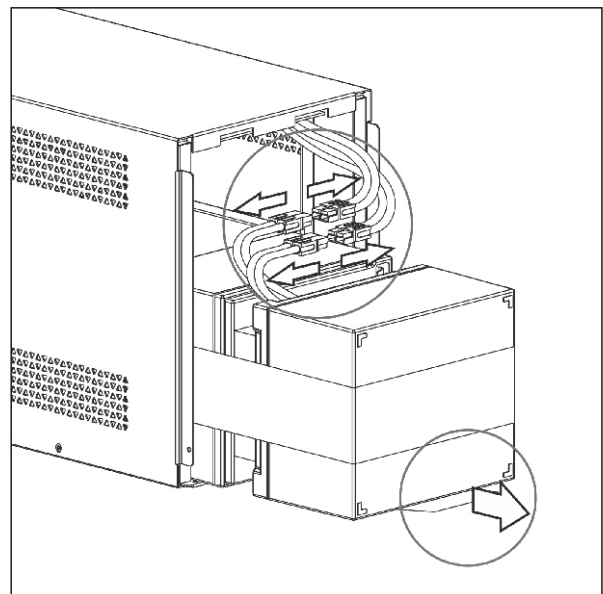
CAUTION:

- Be sure to connect the Red wire to the positive terminal and the Black wire to the negative terminal. Do not interchange the connection.
- Be sure that the battery wires do not get damaged while replacing the battery and re-installing the bezel.

SMV/SMVS 750-1500VA



SMV/SMVS 2000-3000VA



5. Re-install the bezel removed in step 1.