

Galaxy VS Live Swap Kit (GVSOPT039) for UPS with Internal Batteries

Installation

Latest updates are available on the Schneider Electric website
10/2021



Legal Information

The Schneider Electric brand and any trademarks of Schneider Electric SE and its subsidiaries referred to in this guide are the property of Schneider Electric SE or its subsidiaries. All other brands may be trademarks of their respective owners.

This guide and its content are protected under applicable copyright laws and furnished for informational use only. No part of this guide may be reproduced or transmitted in any form or by any means (electronic, mechanical, photocopying, recording, or otherwise), for any purpose, without the prior written permission of Schneider Electric.

Schneider Electric does not grant any right or license for commercial use of the guide or its content, except for a non-exclusive and personal license to consult it on an "as is" basis. Schneider Electric products and equipment should be installed, operated, serviced, and maintained only by qualified personnel.

As standards, specifications, and designs change from time to time, information contained in this guide may be subject to change without notice.

To the extent permitted by applicable law, no responsibility or liability is assumed by Schneider Electric and its subsidiaries for any errors or omissions in the informational content of this material or consequences arising out of or resulting from the use of the information contained herein.

Table of Contents

Install the Live Swap Kit in the UPS for Internal Batteries – Up to Five Battery Strings	5
Install the Live Swap Kit in the UPS for Internal Batteries – Up to Four Battery Strings.....	14
Install the Live Swap Kit in the UPS for Internal Batteries – Up to Two Battery Strings.....	22

Install the Live Swap Kit in the UPS for Internal Batteries – Up to Five Battery Strings

⚠️⚠️ DANGER

HAZARD OF ELECTRIC SHOCK, EXPLOSION, OR ARC FLASH

Turn the UPS system completely OFF before starting this procedure.

- All sources coming into the UPS cabinet must be disconnected.
- The UPS must be fully isolated and de-energized and all battery breakers must be set to the OFF (open) position.
- Perform Lockout/Tagout.
- Wait five minutes before opening the UPS to allow the capacitors to discharge.
- Measure for absence of power.

Failure to follow these instructions will result in death or serious injury.

⚠️ CAUTION

HEAVY LOAD

Power modules are heavy and require two persons to lift.

- 20 kW power module weighs 25 kg (55 lbs).
- 50 kW power module weighs 38 kg (84 lbs).

Failure to follow these instructions can result in injury or equipment damage.

⚠️ CAUTION

HEAVY LOAD

Some of the static switch modules are heavy and can require two persons to lift.

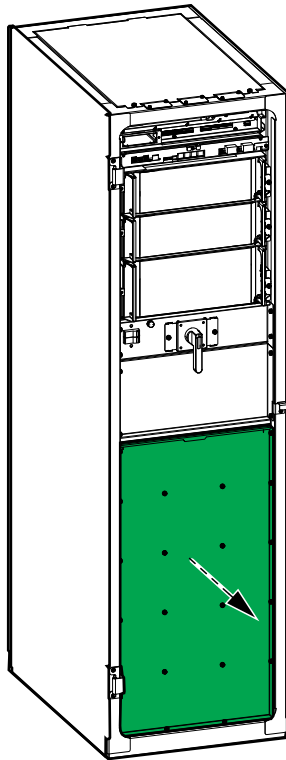
- 50 kW static switch module weighs 16 kg (35 lbs).
- 100 kW static switch module weighs 24 kg (53 lbs).

Failure to follow these instructions can result in injury or equipment damage.

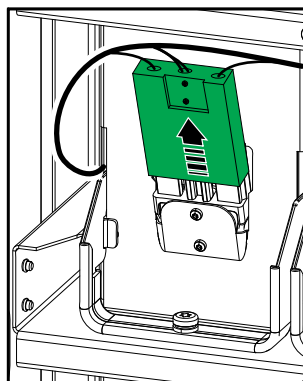
NOTE:

- The Live Swap kit GVSOPT039 must only be installed and enabled by a Schneider Electric field service representative or Schneider Electric-certified service partner.
 - If the Live Swap label (885-92715) is already present on the UPS it means that the Live Swap kit has been installed from the factory. In that case, installation of the Live Swap kit GVSOPT039 is not necessary.
1. Turn the UPS system completely OFF. The UPS must be fully isolated and de-energized and all battery breakers must be set to the OFF (open) position. Wait five minutes before opening the UPS to allow the capacitors to discharge.

2. Remove the battery cover.



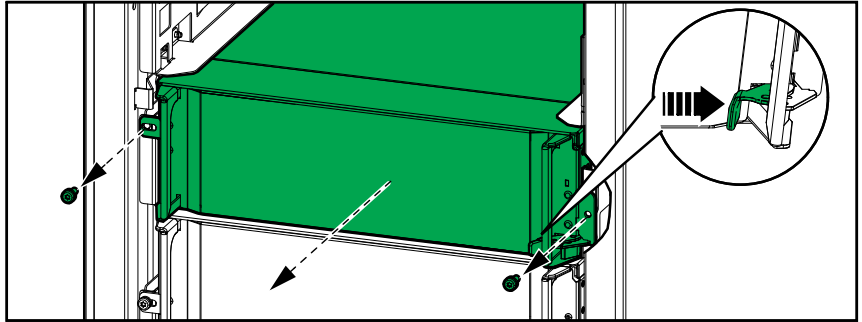
3. Disconnect the battery terminals from the front of all the battery modules.



4. Measure for absence of power before continuing.

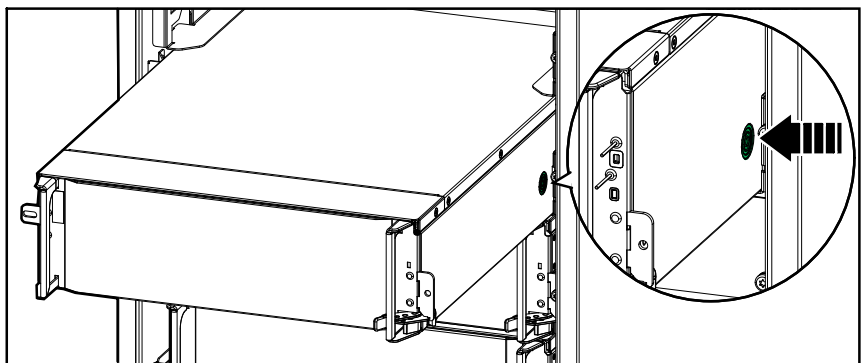
5. Remove the power module(s) from the UPS:

- a. Remove the screws and push the unlock switch.

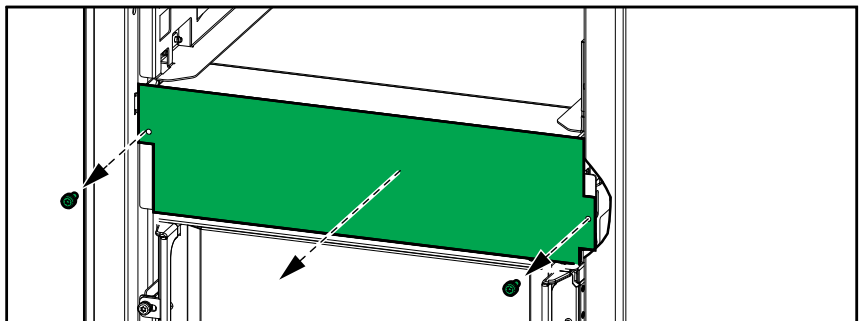


- b. Pull the power module halfway out. A locking mechanism prevents the power module from being pulled all the way out.

- c. Release the lock by pressing the release button on both sides of the power module and remove the power module.

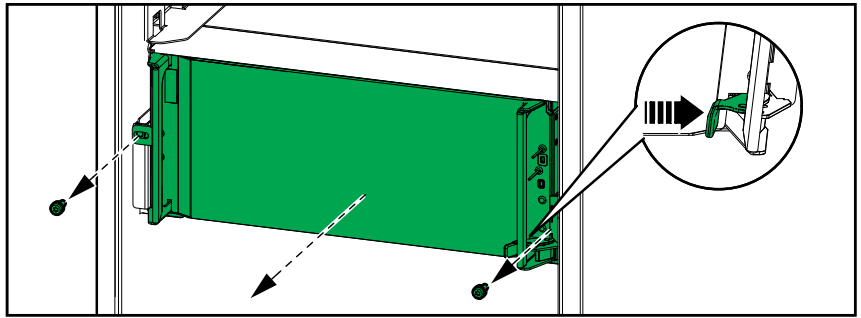


- d. Remove any filler plate(s) from the empty power module slot(s).

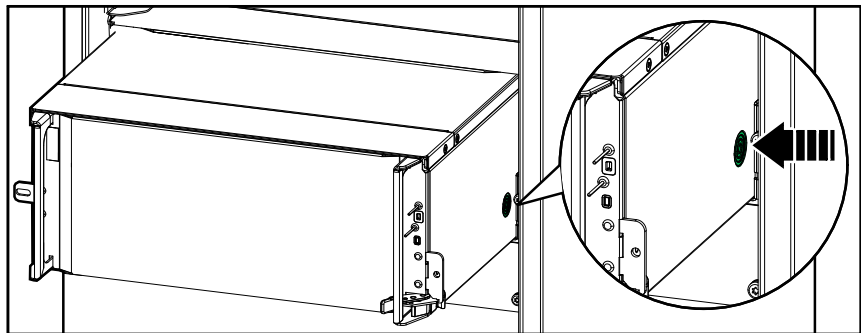


6. Remove the static switch module:

- a. Remove the screws from the static switch module and push the unlock switch.

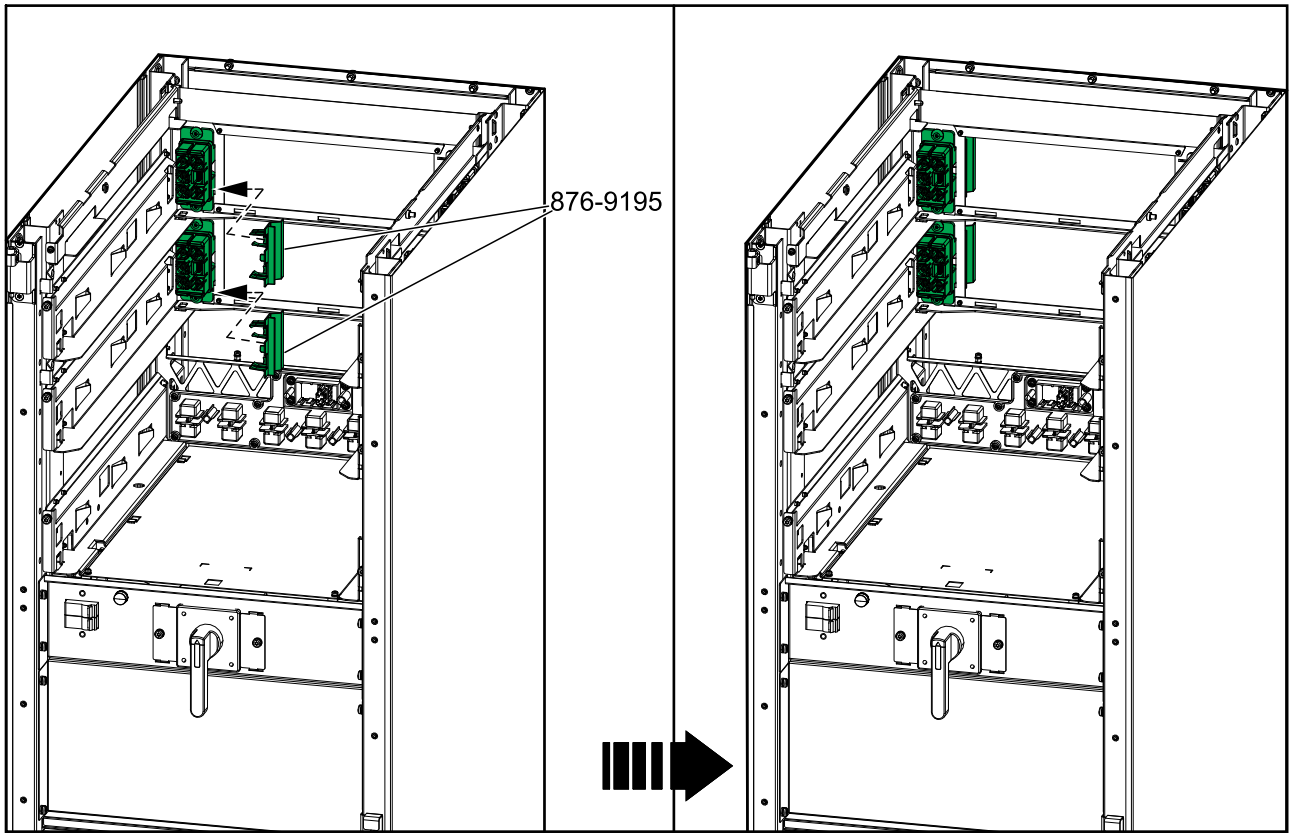


- b. Pull the static switch module halfway out. A locking mechanism prevents the static switch module from being pulled all the way out.
- c. Release the lock by pressing the release button on both sides of the static switch module and remove the static switch module.

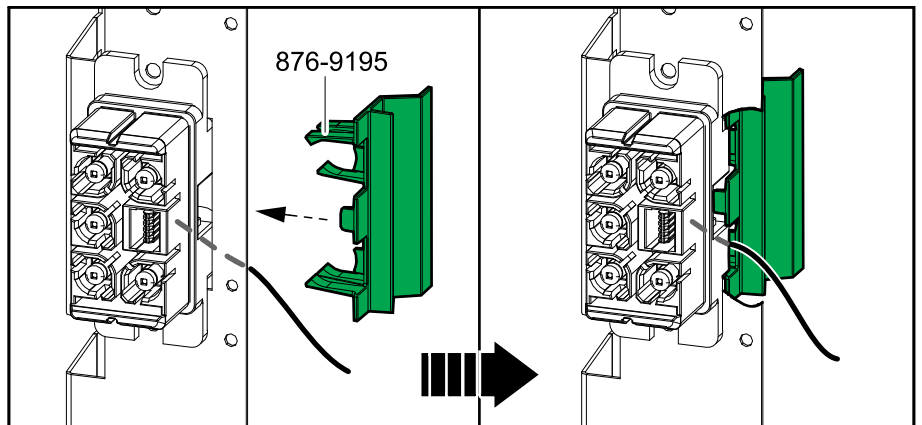


- Click the two plastic parts (876-9195) onto the rear of the power module connectors located in the left side of the UPS.

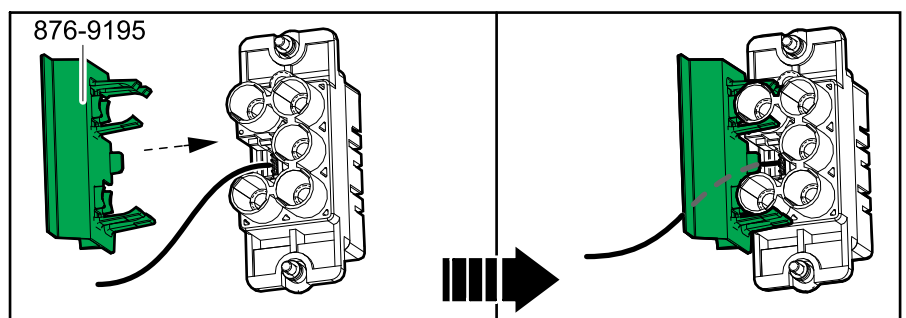
NOTE: Be careful not to disconnect or damage the signal cable (shown in illustrations) on the power module connector when installing the plastic parts. The slot on the plastic part fits over the signal cable.



Plastic Part (876-9195) on Power Module Connector Seen from Front

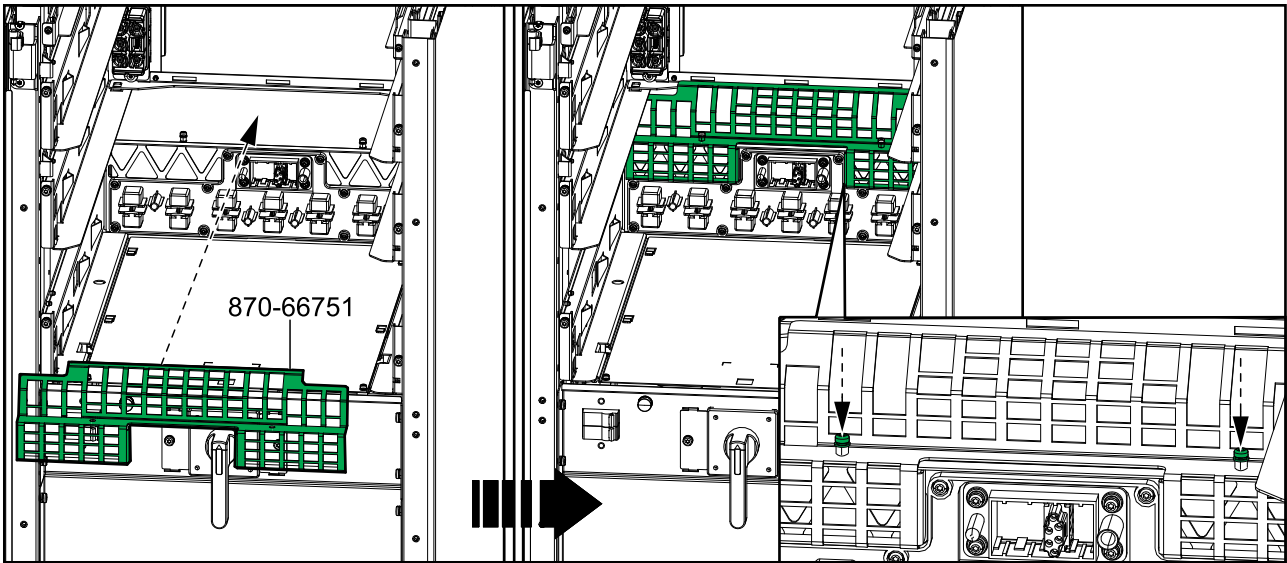


Plastic Part (876-9195) on Power Module Connector Seen from Rear

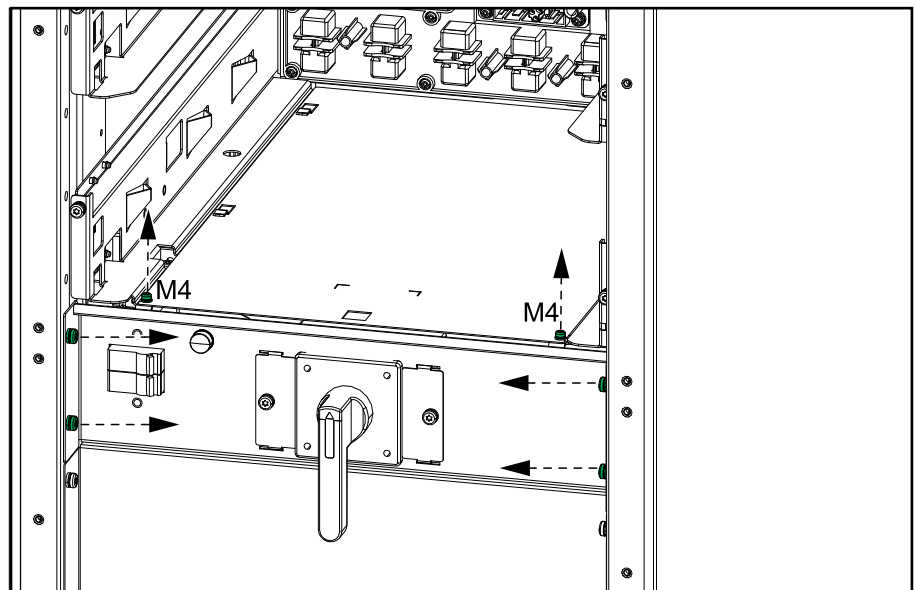


8. Install the sheet metal bracket (870-66751) and fasten with the two provided screws.

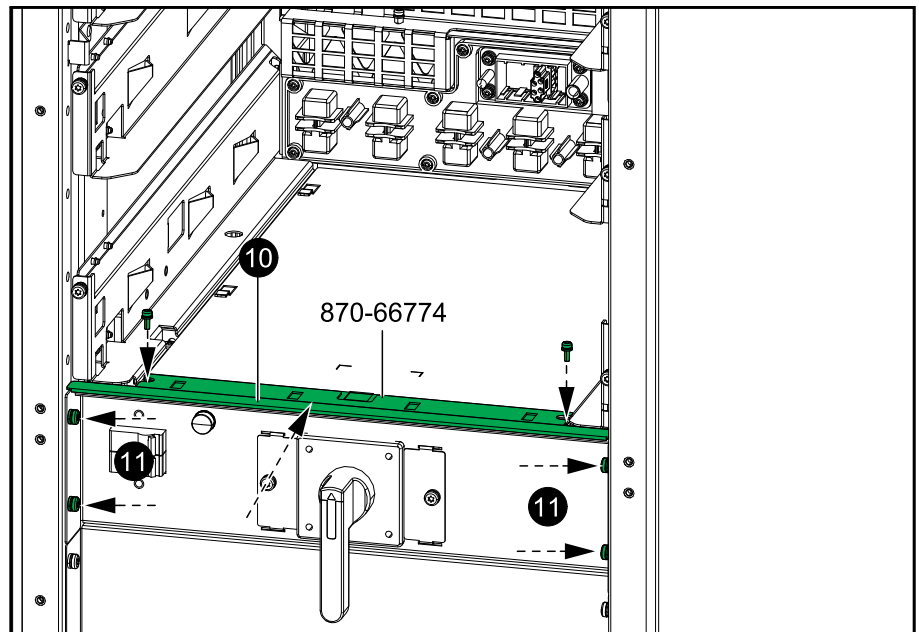
NOTE: Remove any cables ties that block the sheet metal bracket from being completely inserted.



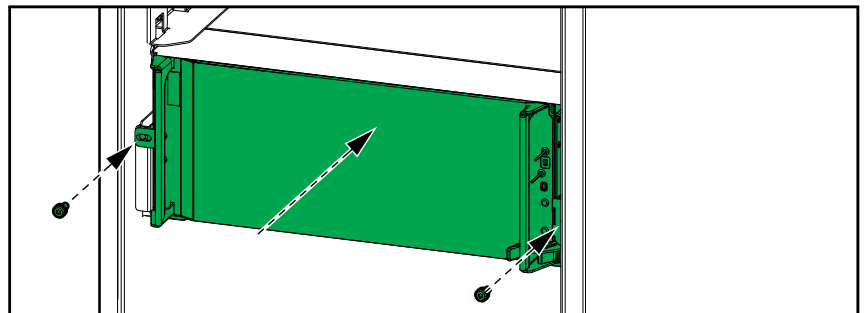
9. Loosen or remove the four screws from the front plate and the two M4 screws as shown.



10. Install the provided bracket (870-66774) with the two M4 screws.

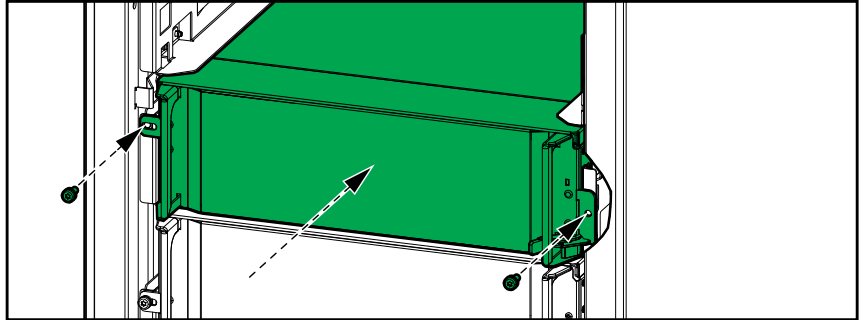


11. Tighten or reinstall the screws on the front plate as shown.
12. Reinstall the static switch module:
 - a. Push the static switch module into the slot. The enable mechanism will latch when the static switch module is correctly inserted.
 - b. Install the provided screws in the static switch module.

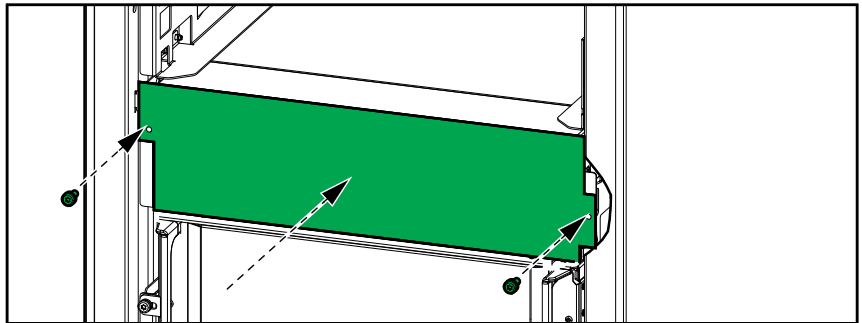


13. Reinstall the power module(s):

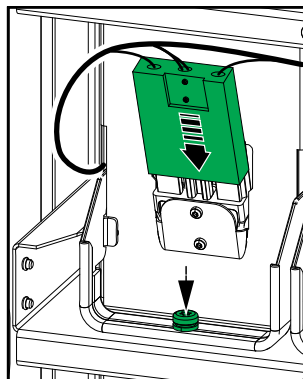
- a. Push the power module into the slot. The enable mechanism will latch when the power module is correctly inserted.
- b. Install the provided screws in the sides of the power module.



- c. Install a filler plate in front of any empty power module slot(s).

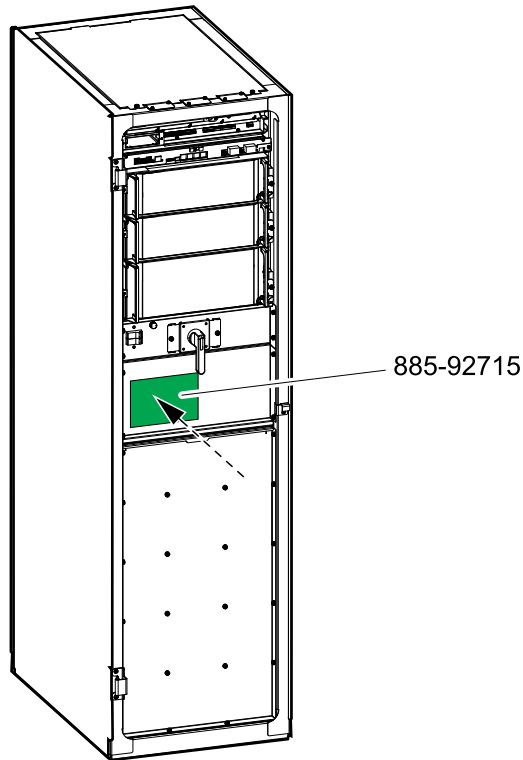


14. Connect the battery terminals to the front of the battery module.



15. Reinstall the battery cover.

16. Attach the Live Swap label (885-92715) on the front of the UPS. Add a translated label (885-92716) on the French part of the Live Swap label, as needed.



17. Adjust the breaker trip settings according to the UPS installation manual (newest edition dated AFTER May 2021).
18. **Only for parallel systems:** Attach label (885-92556) to the upstream circuit breaker as described in the UPS installation manual (newest edition dated AFTER May 2021).
19. Start up the UPS.
20. Connect to UPS Tuner and update the firmware of the UPS. Enable the Live Swap support for power module in UPS Tuner.

Install the Live Swap Kit in the UPS for Internal Batteries – Up to Four Battery Strings

DANGER

HAZARD OF ELECTRIC SHOCK, EXPLOSION, OR ARC FLASH

Turn the UPS system completely OFF before starting this procedure.

- All sources coming into the UPS cabinet must be disconnected.
- The UPS must be fully isolated and de-energized and all battery breakers must be set to the OFF (open) position.
- Perform Lockout/Tagout.
- Wait five minutes before opening the UPS to allow the capacitors to discharge.
- Measure for absence of power.

Failure to follow these instructions will result in death or serious injury.

CAUTION

HEAVY LOAD

Power modules are heavy and require two persons to lift.

- 50 kW power module weighs 38 kg (84 lbs).

Failure to follow these instructions can result in injury or equipment damage.

CAUTION

HEAVY LOAD

Some of the static switch modules are heavy and can require two persons to lift.

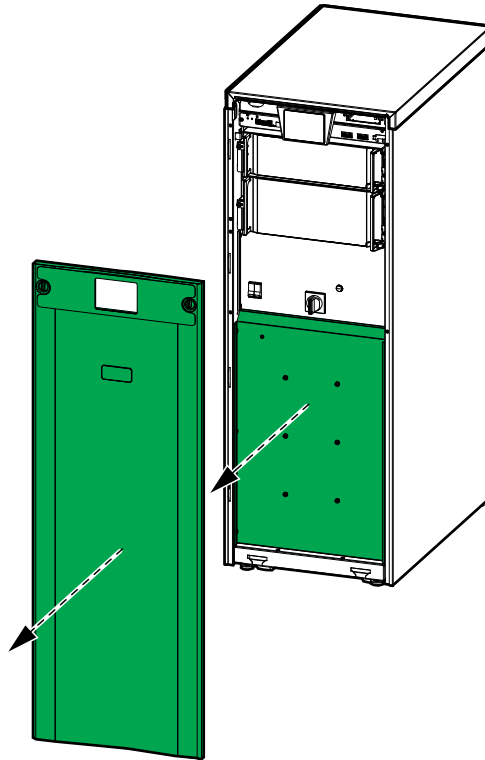
- 50 kW static switch module weighs 16 kg (35 lbs).

Failure to follow these instructions can result in injury or equipment damage.

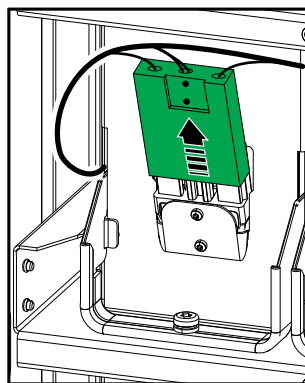
NOTE:

- The Live Swap kit GVSOPT039 must only be installed and enabled by a Schneider Electric field service representative or Schneider Electric-certified service partner.
 - If the Live Swap label (885-92715) is already present on the UPS it means that the Live Swap kit has been installed from the factory. In that case, installation of the Live Swap kit GVSOPT039 is not necessary.
1. Turn the UPS system completely OFF. The UPS must be fully isolated and de-energized and all battery breakers must be set to the OFF (open) position. Wait five minutes before opening the UPS to allow the capacitors to discharge.

2. Remove the front panel and the battery cover from the UPS.



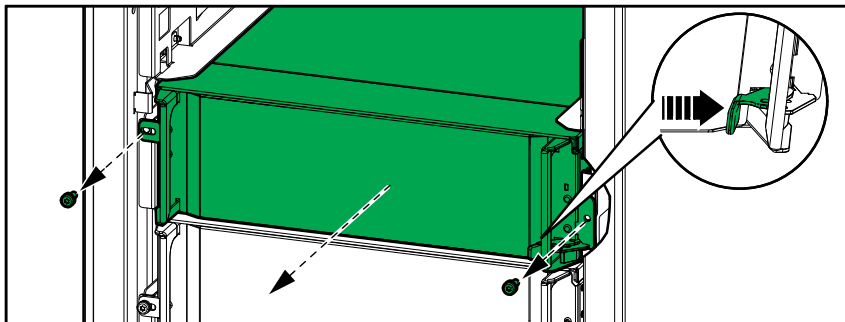
3. Disconnect the battery terminals from the front of all the battery modules.



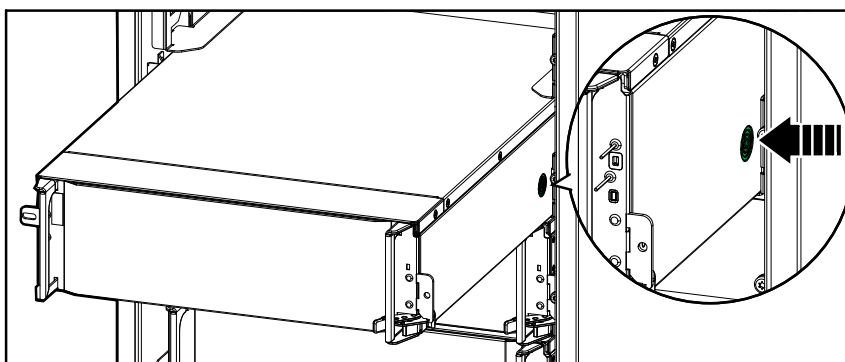
4. Measure for absence of power before continuing.

5. Remove the power module from the UPS:

- a. Remove the screws and push the unlock switch.

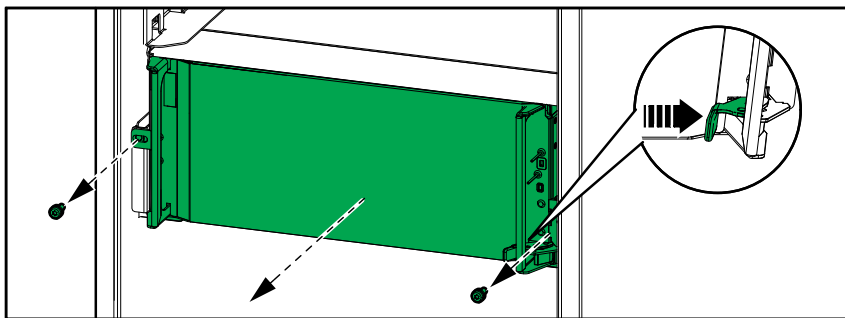


- b. Pull the power module halfway out. A locking mechanism prevents the power module from being pulled all the way out.
c. Release the lock by pressing the release button on both sides of the power module and remove the power module.

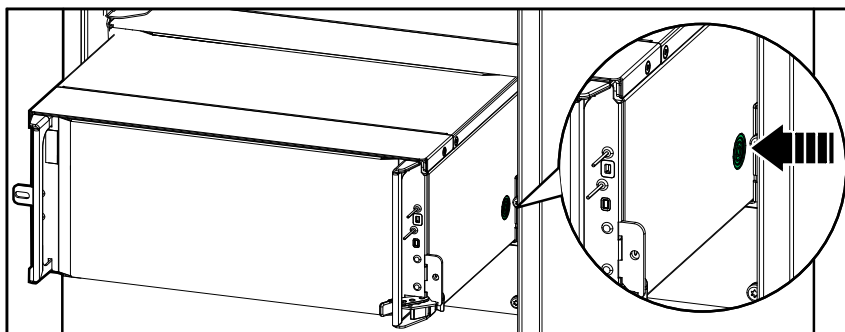


6. Remove the static switch module:

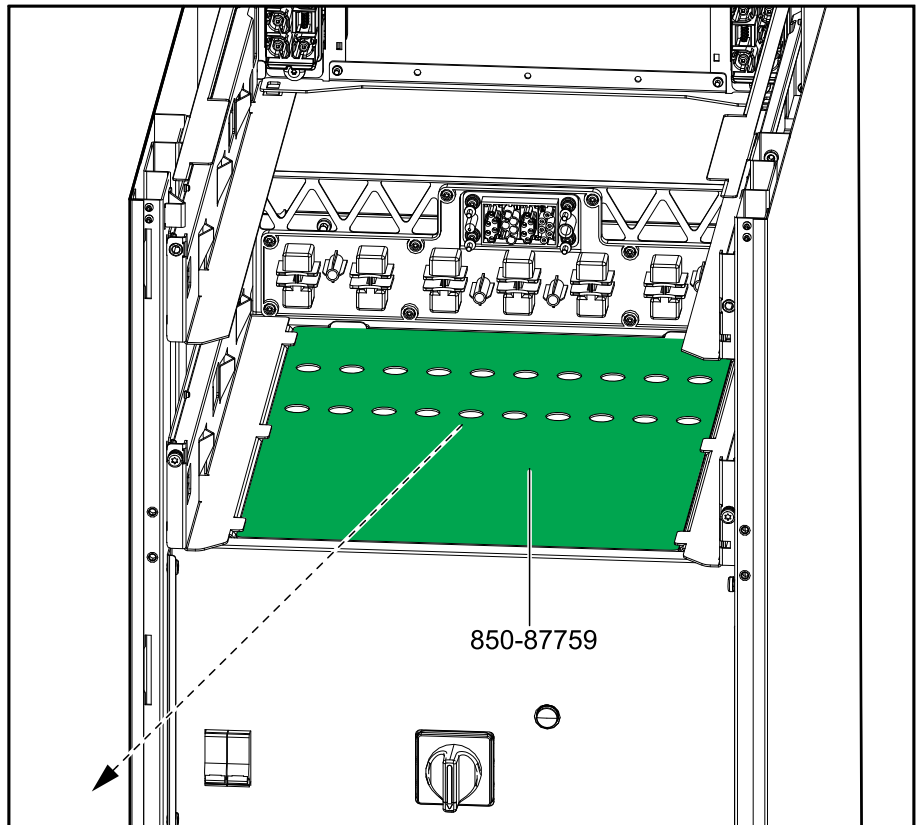
- a. Remove the screws from the static switch module and push the unlock switch.



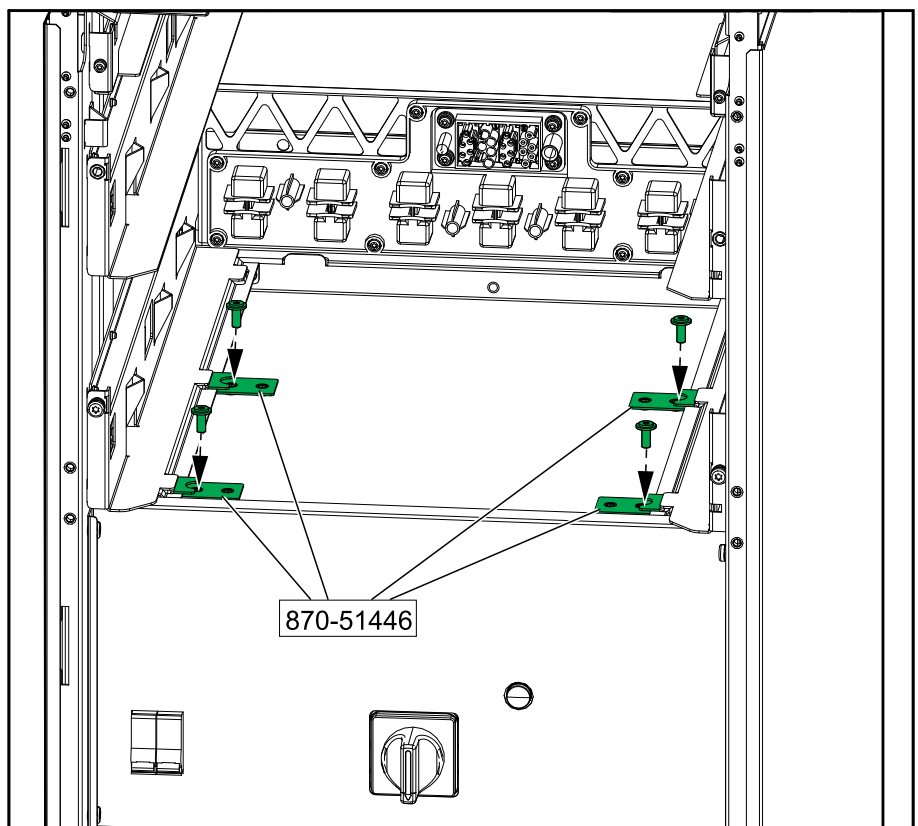
- b. Pull the static switch module halfway out. A locking mechanism prevents the static switch module from being pulled all the way out.
c. Release the lock by pressing the release button on both sides of the static switch module and remove the static switch module.



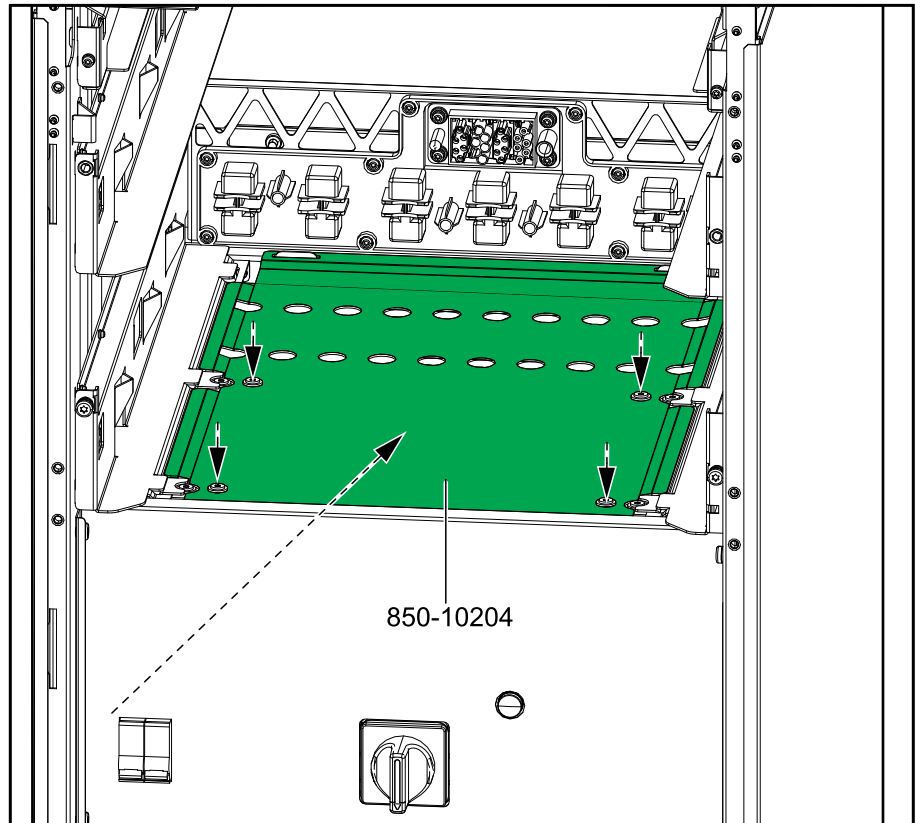
7. Remove the insulation sheet.



8. Install the four brackets (870-51446) as shown and fasten with the four provided screws. Be careful not to drop the screws into the UPS.

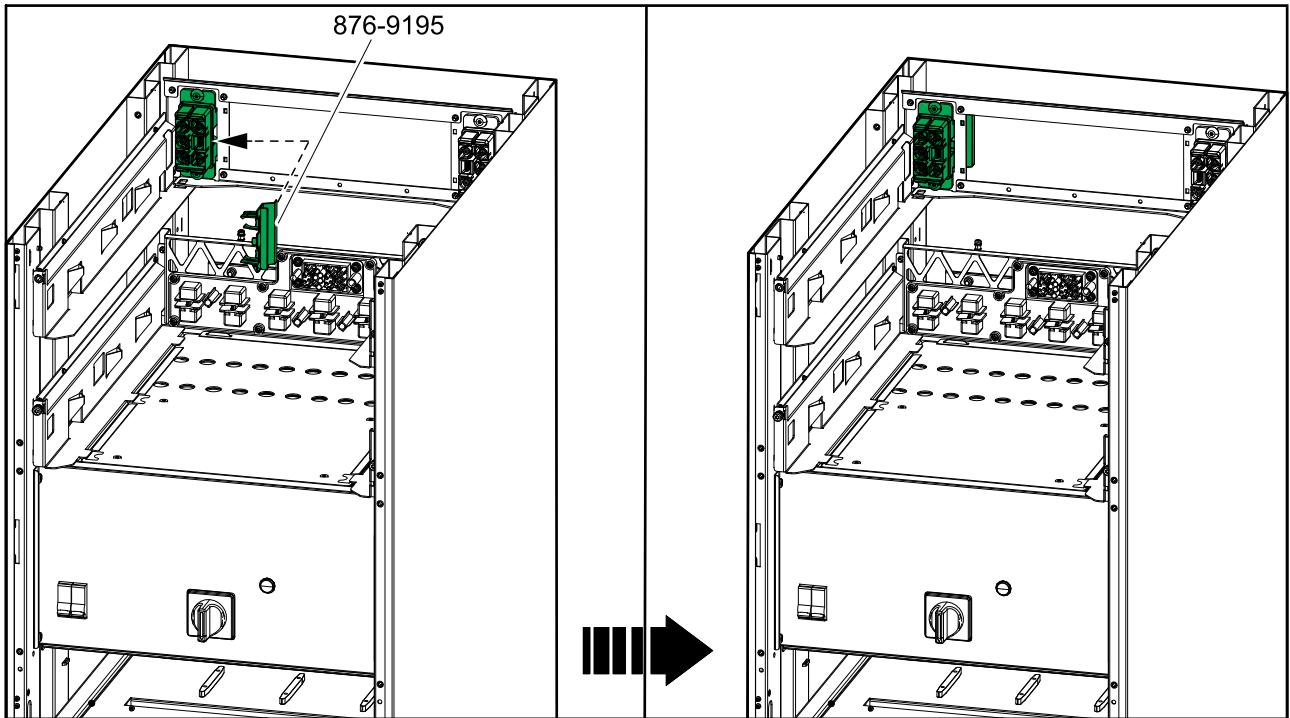


9. Install the provided insulation sheet (850-10204) and fasten to the brackets with the four provided screws.

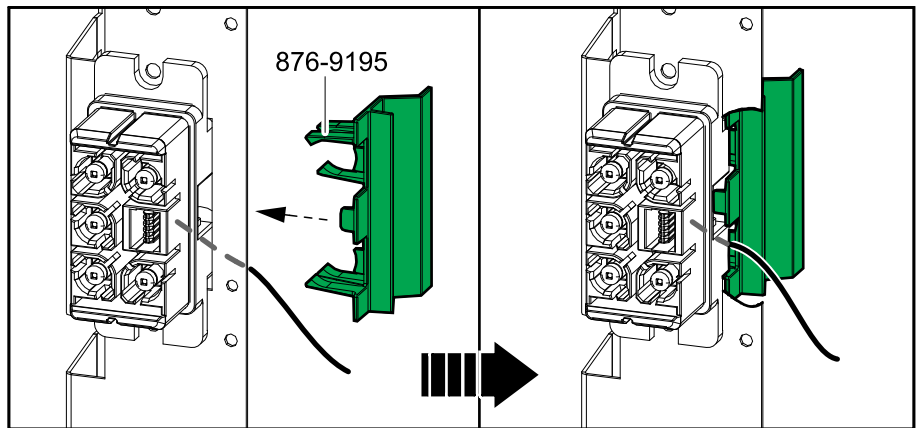


- Click the plastic part (876-9195) onto the rear of the power module connector located in the left side of the UPS.

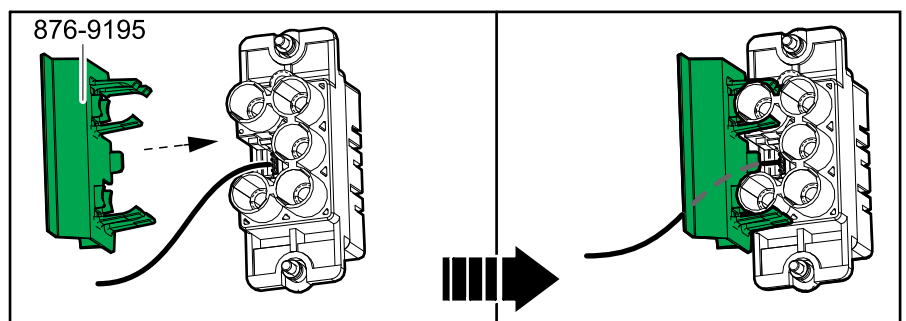
NOTE: Be careful not to disconnect or damage the signal cable (shown in illustrations) on the power module connector when installing the plastic part. The slot on the plastic part fits over the signal cable.



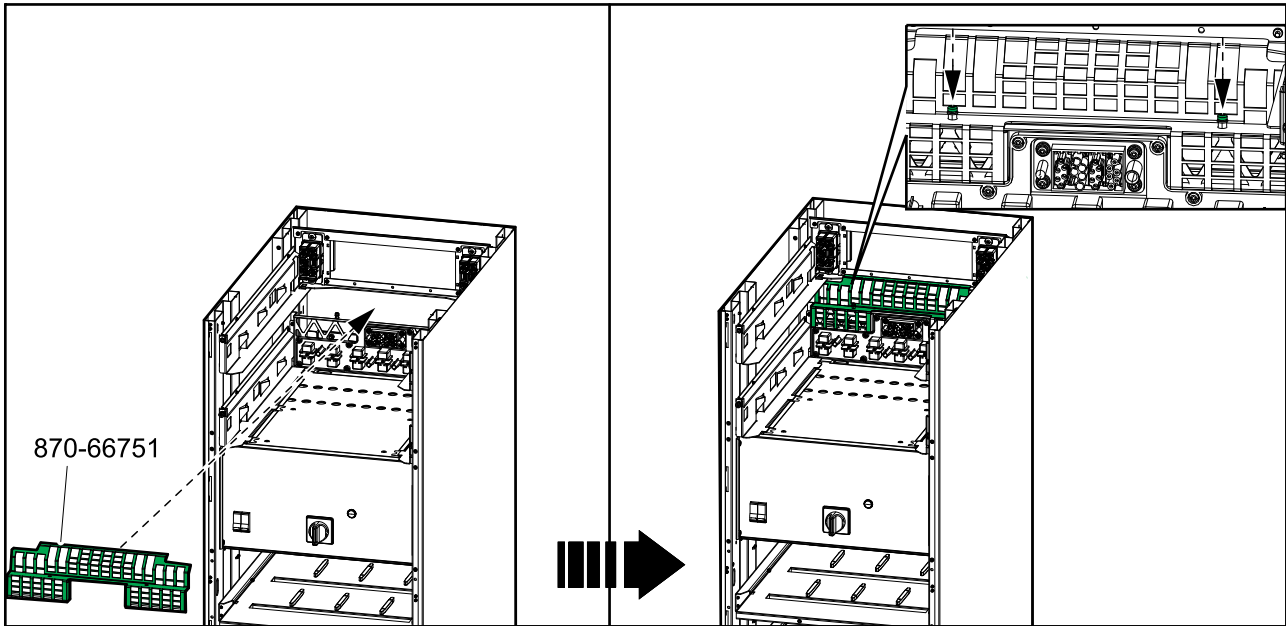
Plastic Part (876-9195) on Power Module Connector Seen from Front



Plastic Part (876-9195) on Power Module Connector Seen from Rear

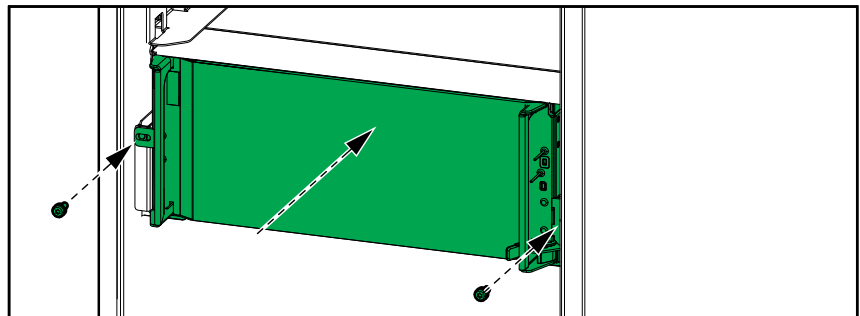


11. Install the sheet metal bracket (870-66751) and fasten with the two provided screws.



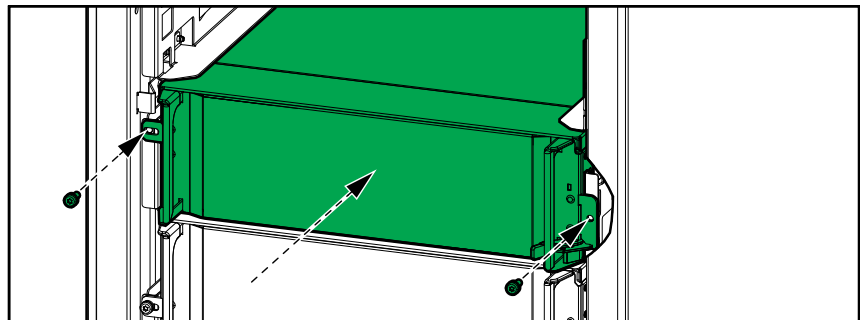
12. Reinstall the static switch module:

- a. Push the static switch module into the slot. The enable mechanism will latch when the static switch module is correctly inserted.
- b. Install the provided screws in the static switch module.

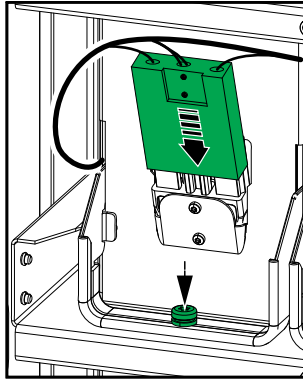


13. Reinstall the power module:

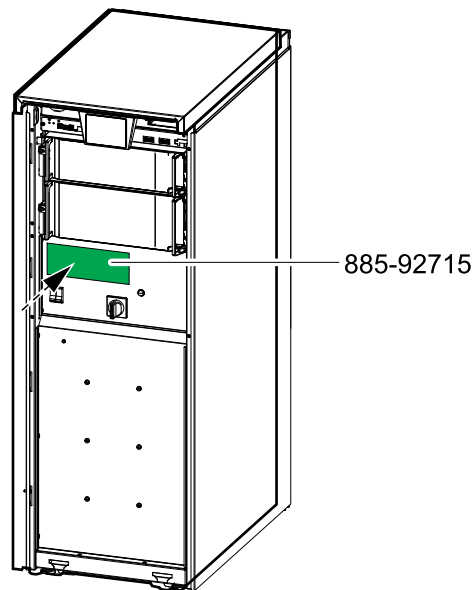
- a. Push the power module into the slot. The enable mechanism will latch when the power module is correctly inserted.
- b. Install the provided screws in the sides of the power module.



14. Connect the battery terminals to the front of the battery module.



15. Reinstall the battery cover.
16. Attach the Live Swap label (885-92715) on the front of the UPS. Add a translated label (885-92716) on the French part of the Live Swap label, as needed.



17. Reinstall the front panel.
18. Adjust the breaker trip settings according to the UPS installation manual (newest edition dated AFTER May 2021).
19. **Only for parallel systems:** Attach label (885-92557) to the upstream circuit breaker as described in the UPS installation manual (newest edition dated AFTER May 2021).
20. Start up the UPS.
21. Connect to UPS Tuner and update the firmware of the UPS. Enable the Live Swap support for power module in UPS Tuner.

Install the Live Swap Kit in the UPS for Internal Batteries – Up to Two Battery Strings

DANGER

HAZARD OF ELECTRIC SHOCK, EXPLOSION, OR ARC FLASH

Turn the UPS system completely OFF before starting this procedure.

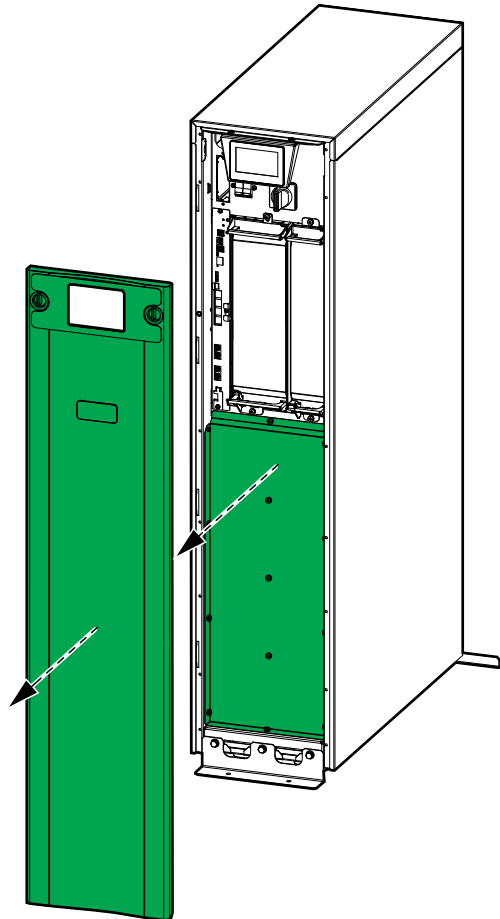
- All sources coming into the UPS cabinet must be disconnected.
- The UPS must be fully isolated and de-energized and all battery breakers must be set to the OFF (open) position.
- Perform Lockout/Tagout.
- Wait five minutes before opening the UPS to allow the capacitors to discharge.
- Measure for absence of power.

Failure to follow these instructions will result in death or serious injury.

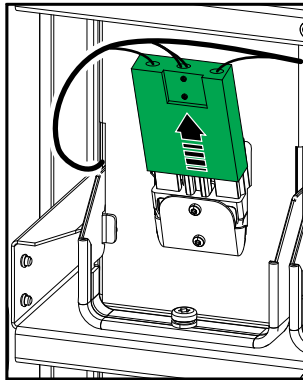
NOTE:

- The Live Swap kit GVSOPT039 must only be installed and enabled by a Schneider Electric field service representative or Schneider Electric-certified service partner.
 - If the Live Swap label (885-92715) is already present on the UPS it means that the Live Swap kit has been installed from the factory. In that case, installation of the Live Swap kit GVSOPT039 is not necessary.
1. Turn the UPS system completely OFF. The UPS must be fully isolated and de-energized and all battery breakers must be set to the OFF (open) position. Wait five minutes before opening the UPS to allow the capacitors to discharge.

2. Remove the front panel and the battery cover from the UPS.



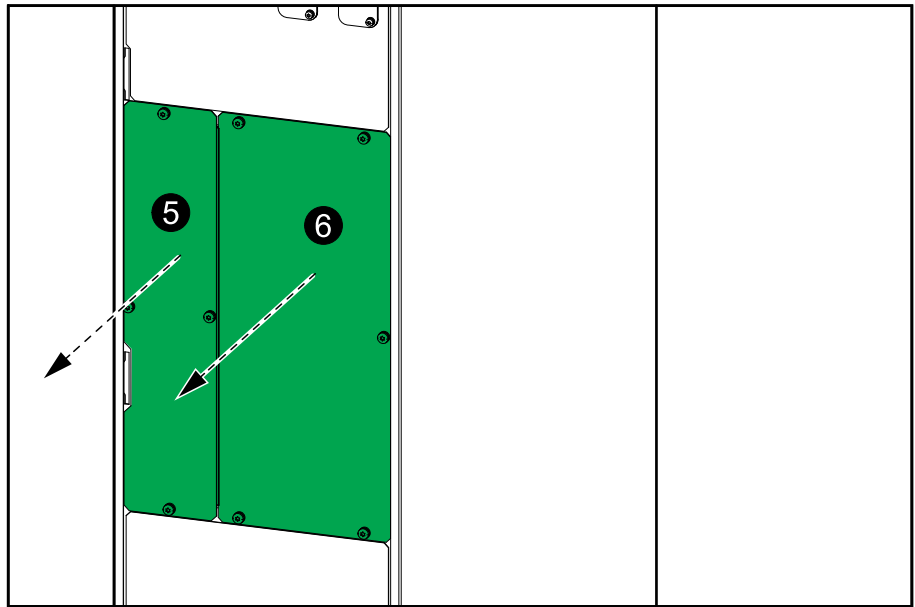
3. Disconnect the battery terminals from the front of all the battery modules.



4. Measure for absence of power before continuing.
5. Remove the left gland plate from the rear of the UPS. Save for reinstallation.

6. Remove the right metal plate from the rear of the UPS. Discard the metal plate.

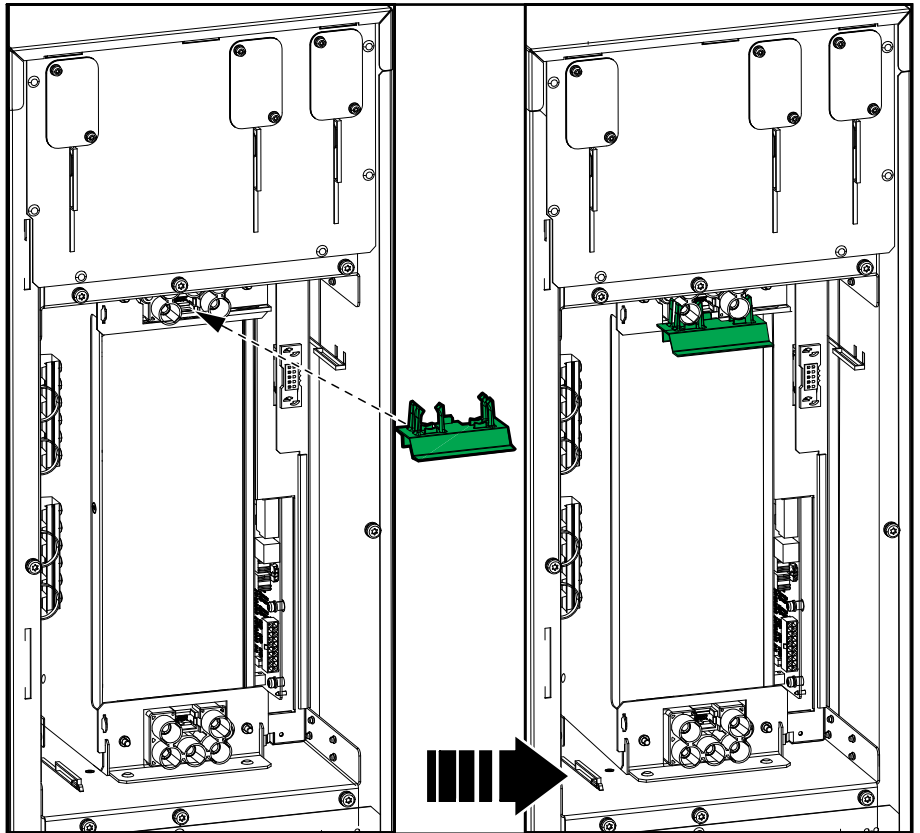
Rear View of the UPS



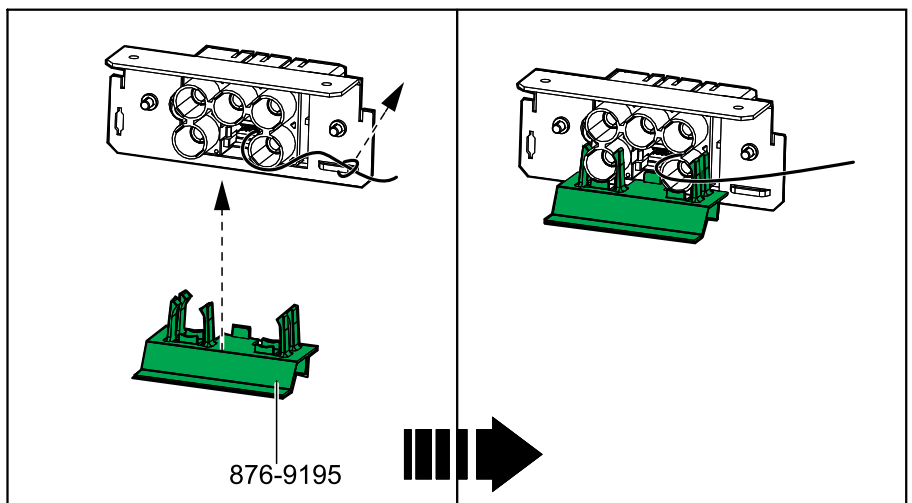
7. On the power module connector, remove the preinstalled cable tie, lift the signal cable a little upwards, and click the plastic part (876-9195) on.

NOTE: Be careful not to disconnect or damage the signal cable on the power module connector when installing the plastic part.

Rear View of the UPS

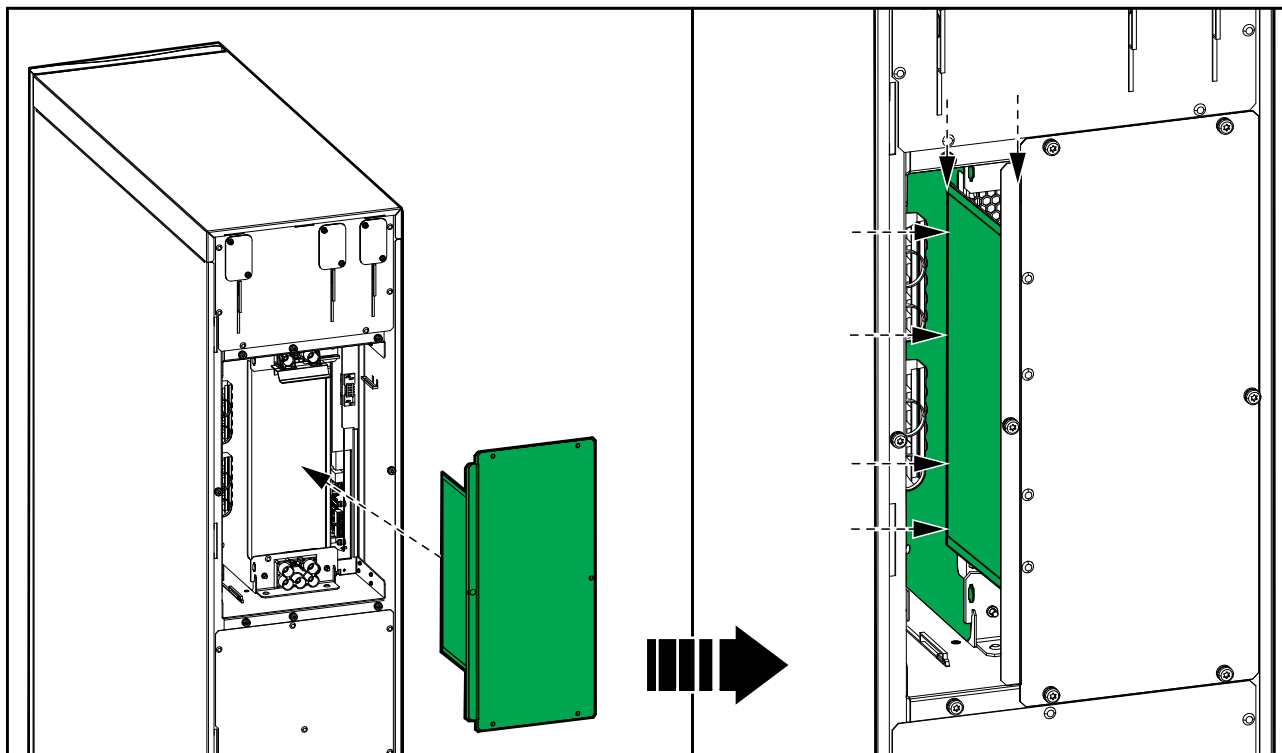


Rear View Plastic Part (876-9195) on Power Module Connector



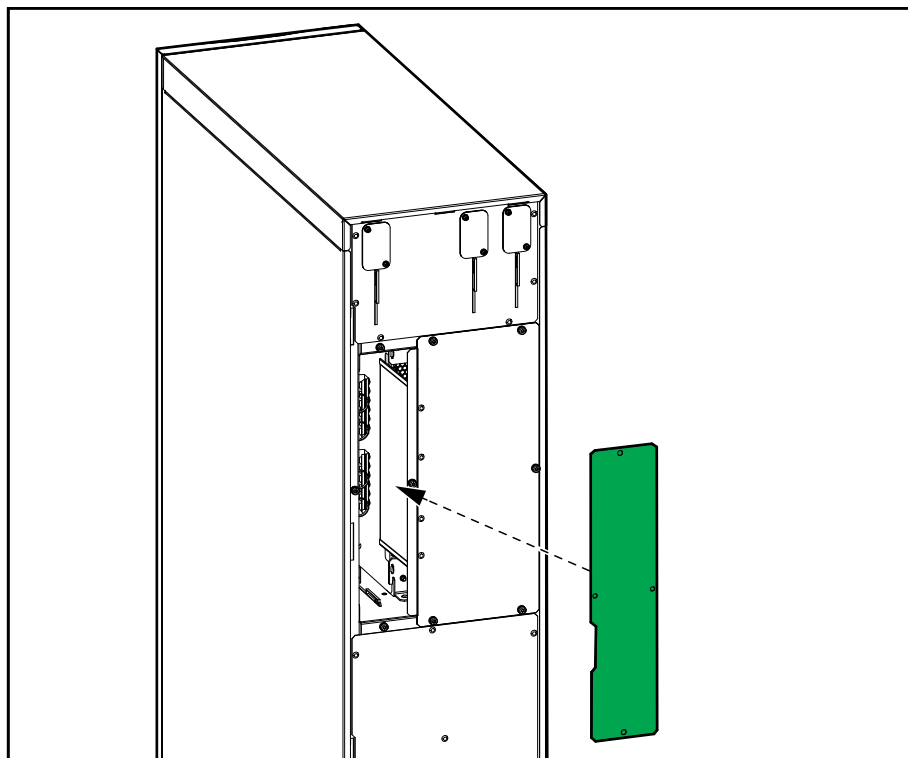
8. Install the right metal plate assembly 0M-95722 provided in the kit on the rear of the UPS. Check that the metal plate extending into the UPS will be aligned with the existing plate inside as shown. Reuse the screws from the original right rear plate.

Rear View of the UPS

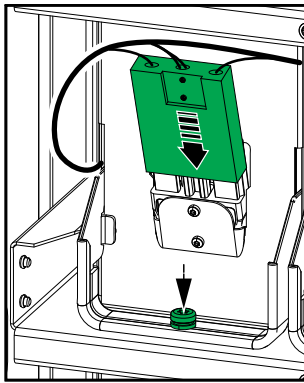


9. Reinstall the right gland plate on the rear of the UPS.

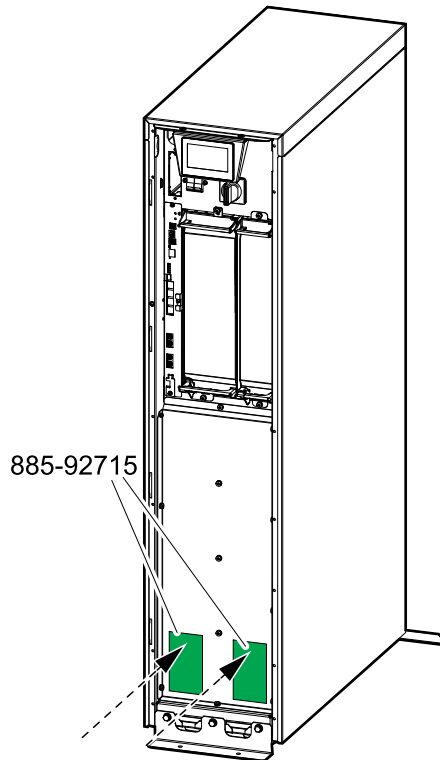
Rear View of the UPS



10. Connect the battery terminals to the front of the battery module.



11. Reinstall the battery cover.
12. Cut the Live Swap label (885-92715) in half with scissors so you have an English label and a French label. Attach the English and French Live Swap labels (885-92715) on the front of the UPS. Add a translated label (885-92716) instead of the French Live Swap label, as needed.



13. Reinstall the front panel.
14. Adjust the breaker trip settings according to the UPS installation manual (newest edition dated AFTER May 2021).
15. Start up the UPS.
16. Connect to UPS Tuner and update the firmware of the UPS. Enable the Live Swap support for power module in UPS Tuner.

Schneider Electric
35 rue Joseph Monier
92500 Rueil Malmaison
France

+ 33 (0) 1 41 29 70 00



As standards, specifications, and design change from time to time,
please ask for confirmation of the information given in this publication.

© 2021 – 2021 Schneider Electric. All rights reserved.

990-91566-001